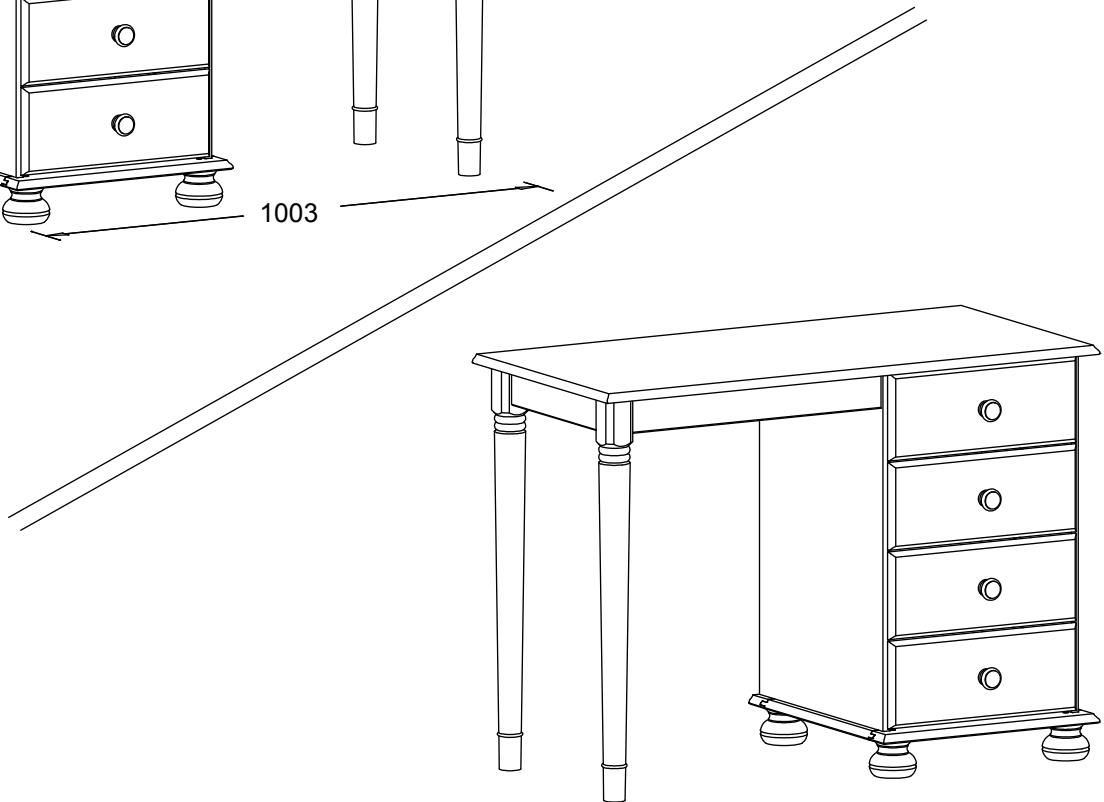
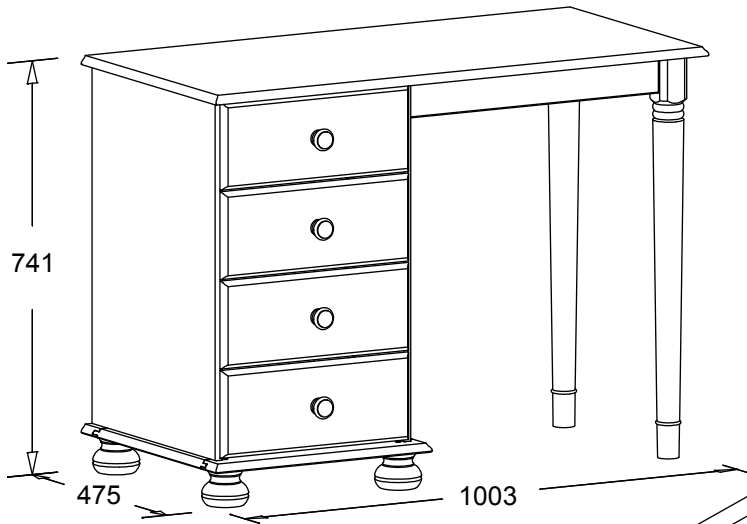
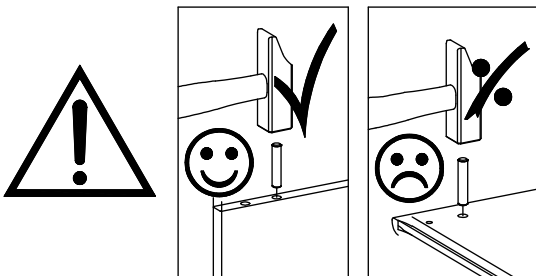


Dressing Table

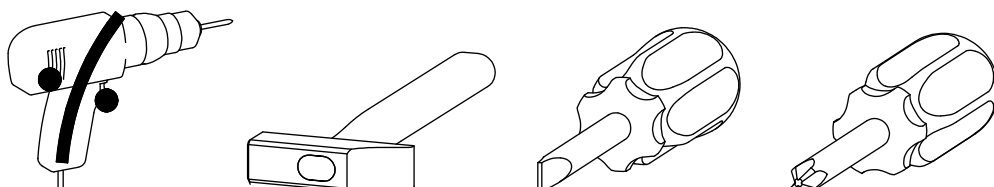
1010701
1010702
1010711

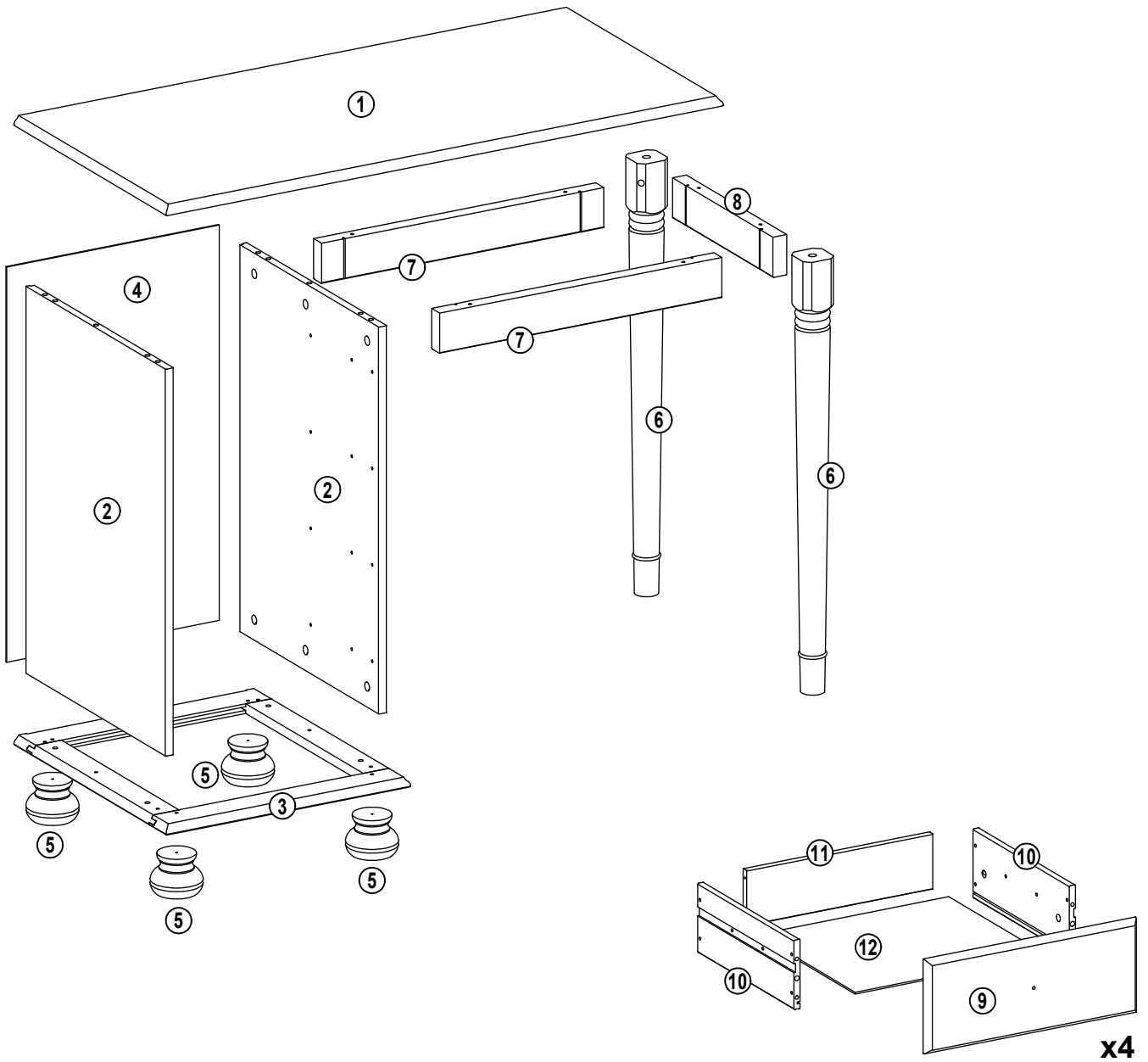


Important!



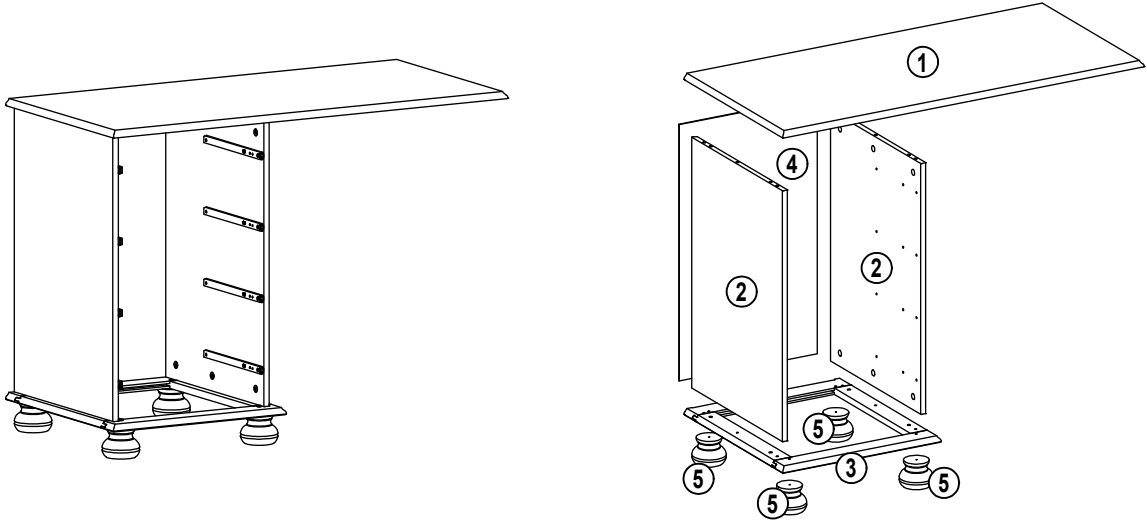
Please, read the assembly instruction carefully, before assembling.



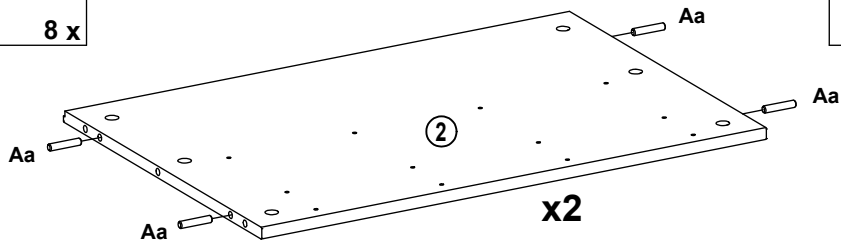
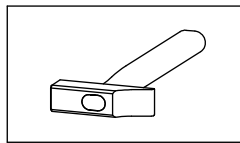
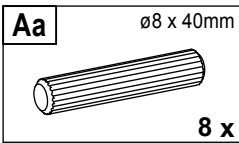


	Aa $\varnothing 8 \times 40\text{mm}$ 8 x	Ab $\varnothing 6 \times 30\text{mm}$ 16 x	Ba $\varnothing 3,5 \times 35\text{mm}$ 16 x	Bc $\varnothing 3,5 \times 15\text{mm}$ 4 x	Bh $\varnothing 4 \times 40\text{mm}$ 4 x
	Ca $\varnothing 15 \times 10,5\text{mm}$ 12 x	Cb $\varnothing 5 \times 8, \text{cc}34\text{mm}$ 20 x	Cq $\varnothing 12 \times 9,5\text{mm}$ 8 x	Di $1,2 \times 15\text{mm}$ 50 x	Gn $\varnothing 39 \times 30\text{mm}$ 4 x
	Ha M4 x 10mm 8 x	Hp M8 x 70mm 2 x	Jc $\varnothing 4 \times 35\text{mm}$ 10 x	Kb $\varnothing 5,8 \times 8\text{mm}$ 24 x	Nm M8 x 13mm 2 x
	Nn M8, $\varnothing 12 \times 45\text{mm}$ 2 x	No $\varnothing 8,4/\varnothing 15\text{mm}$ 2 x	Sk 246 x 17 x 10mm 8 x	Wc 78 x 32mm 2 x	Yg 13mm 1 x

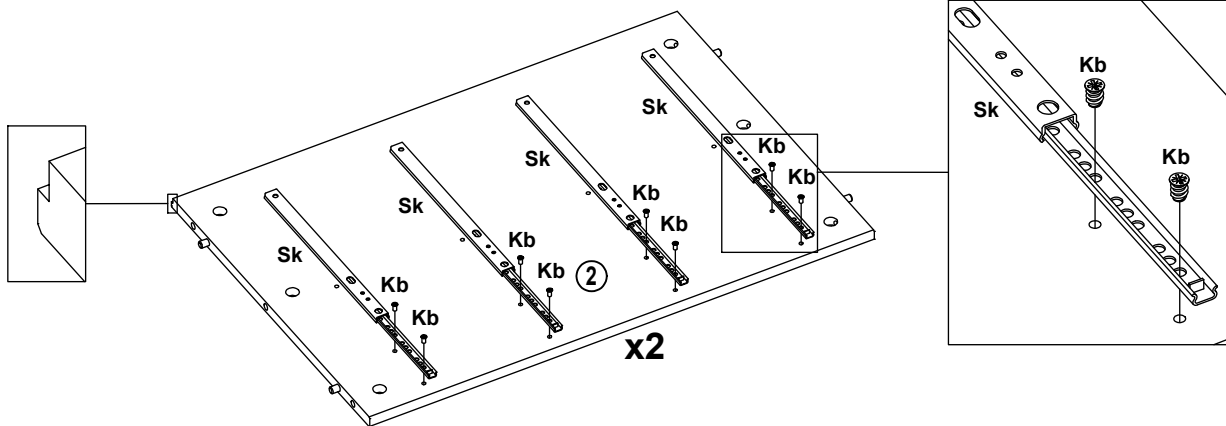
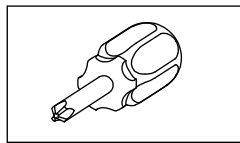
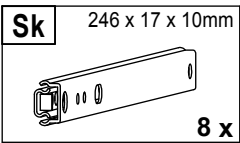
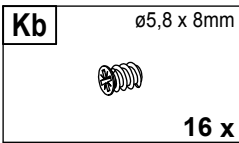
1



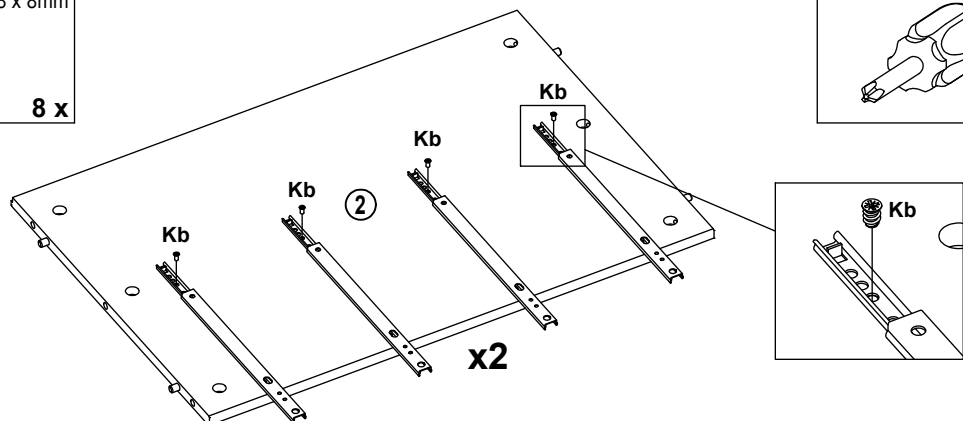
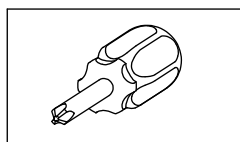
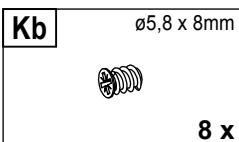
1.1



1.2

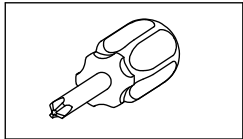
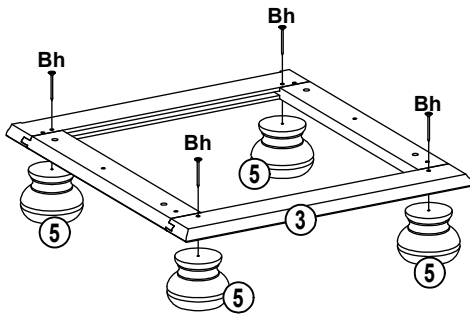


1.3



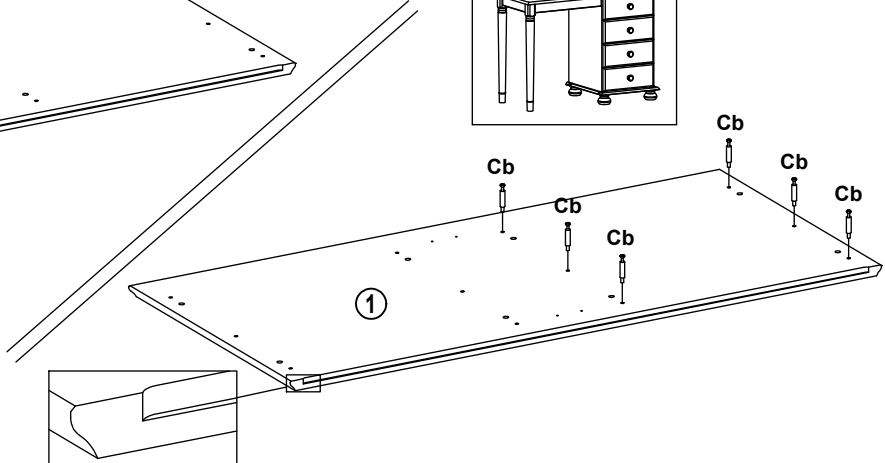
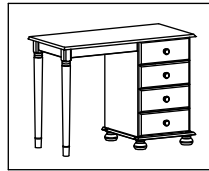
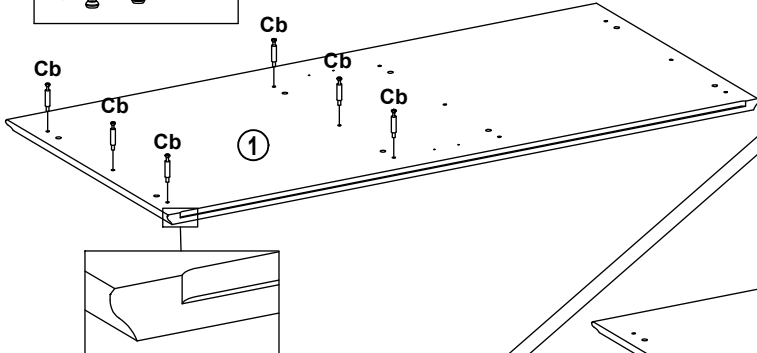
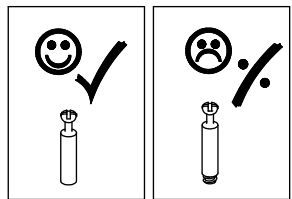
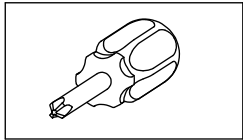
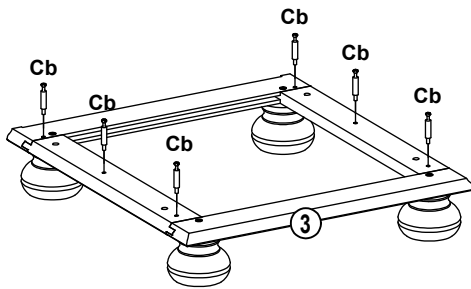
1.4

Bh ø4 x 40mm
4 x



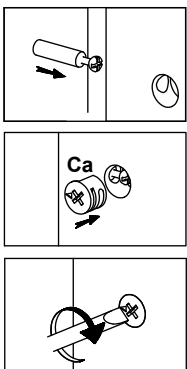
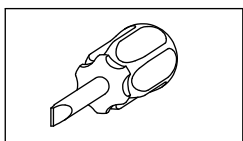
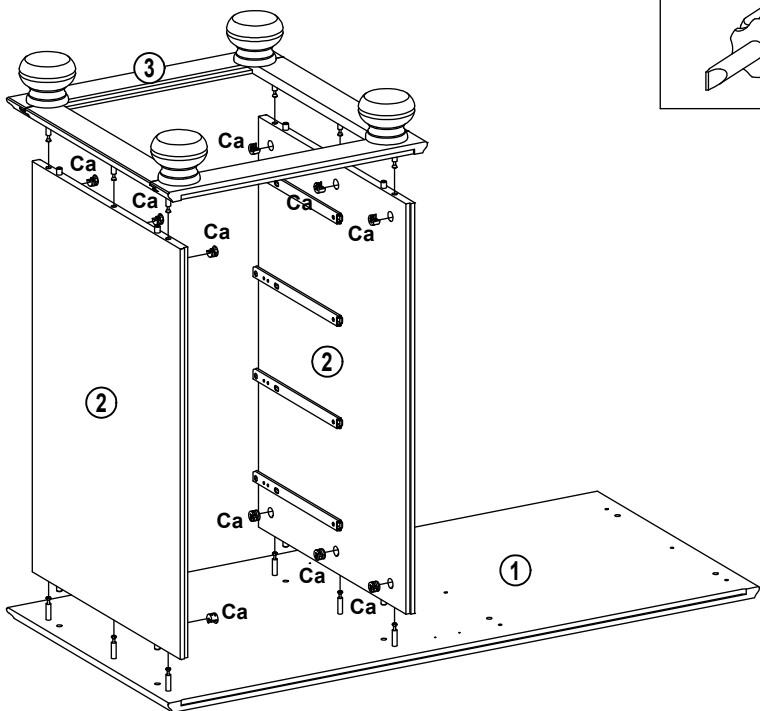
1.5

Cb ø5 x 8, cc34mm
12 x

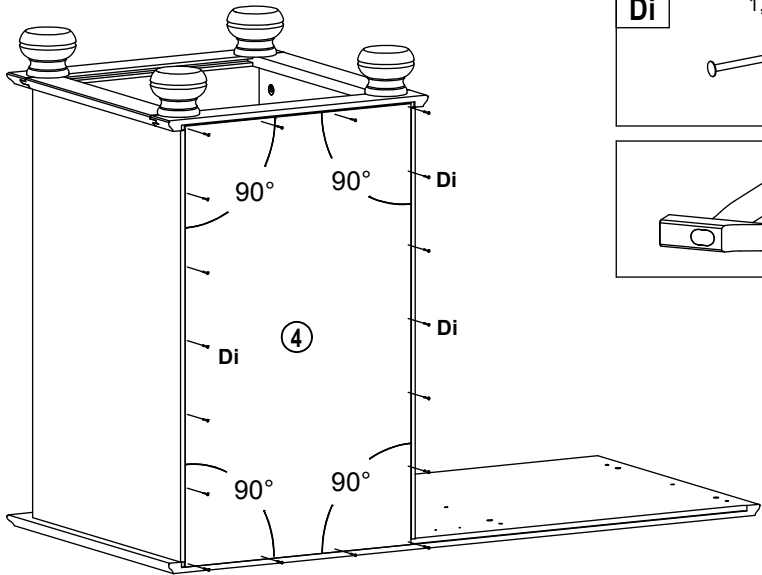
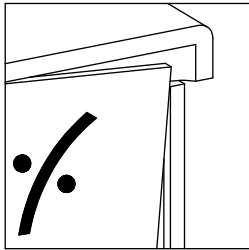
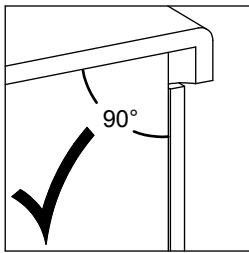


1.6

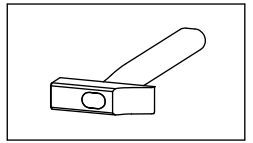
Ca ø15 x 10,5mm
12 x



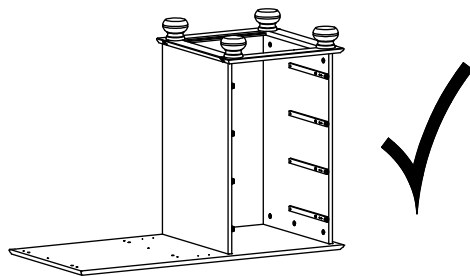
1.7



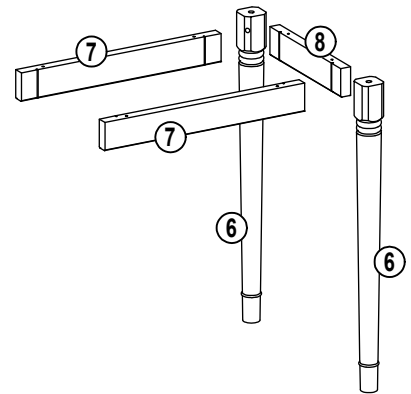
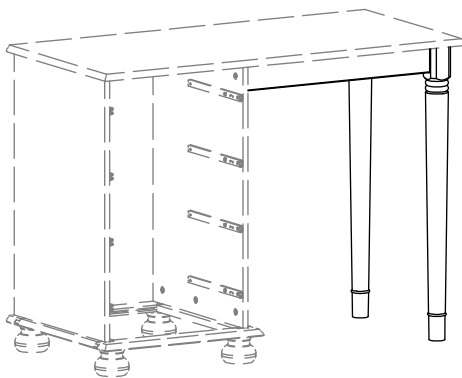
Di 1,2 x 15mm
18 x



1.8

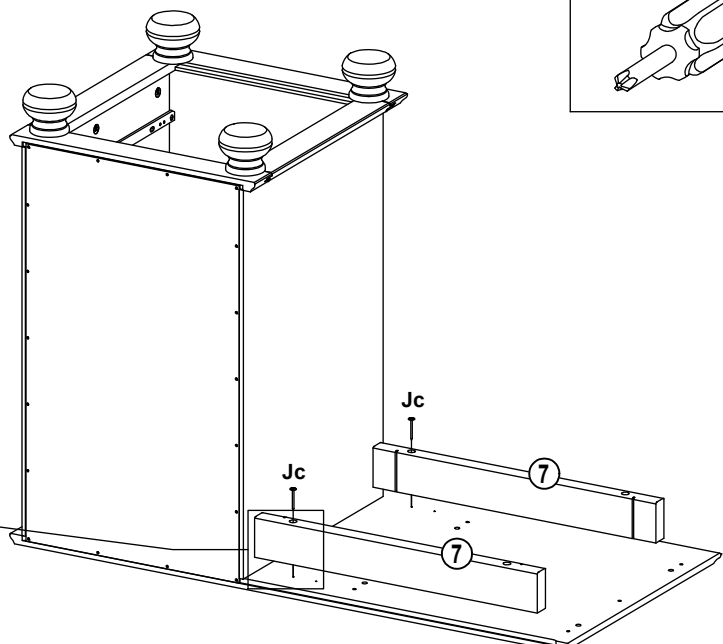
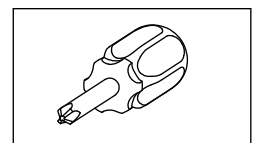
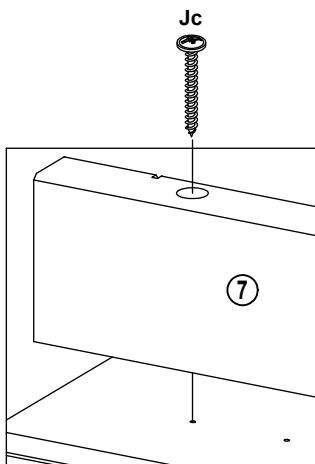


2



2.1

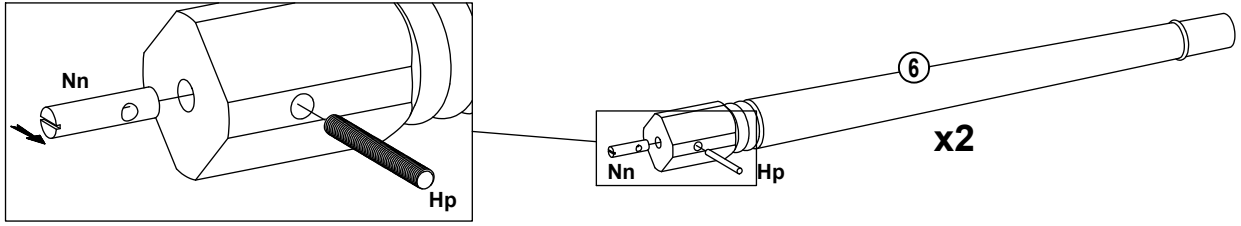
Jc ø4 x 35mm
2 x



2.2

Hp	M8 x 70mm	Nn	M8, $\varnothing 12$ x 45mm
-----------	-----------	-----------	-----------------------------

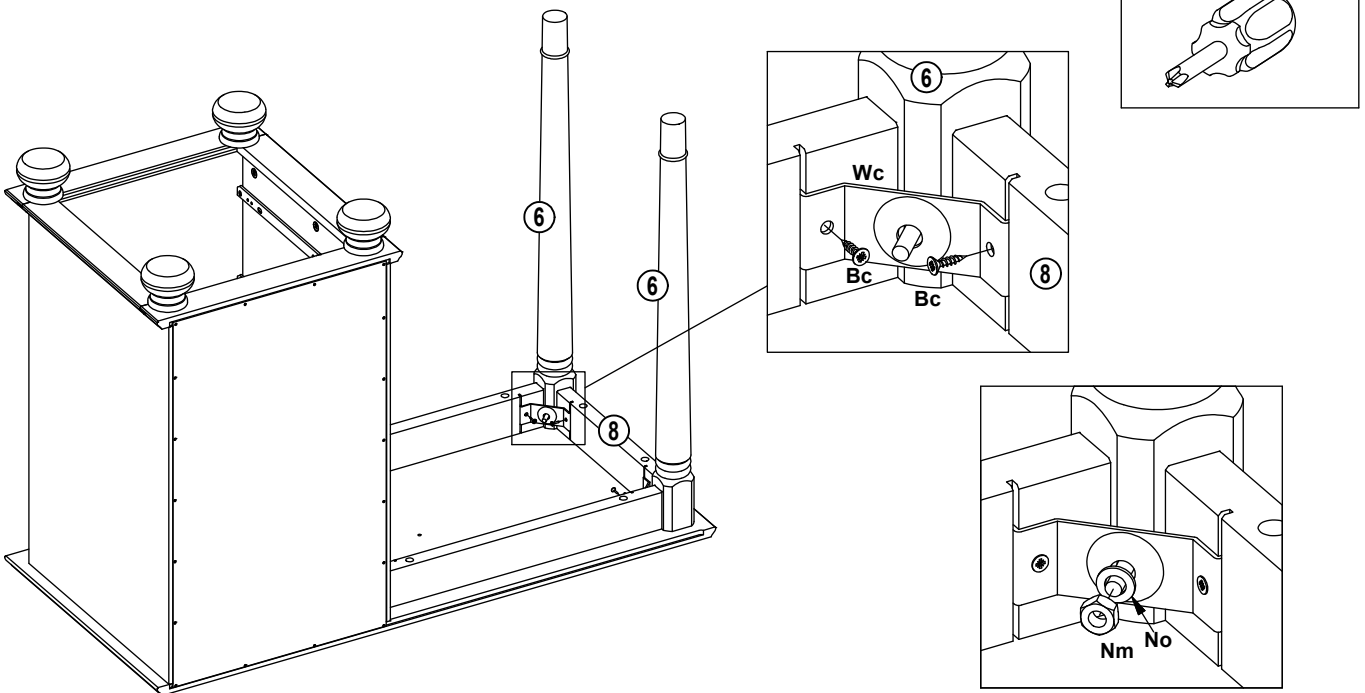
2 x 2 x



2.3

Bc	$\varnothing 3,5$ x 15mm	Nm	M8 x 13mm	No	$\varnothing 8,4/\varnothing 15$ mm	Wc	78 x 32mm	Yg	13mm
-----------	--------------------------	-----------	-----------	-----------	-------------------------------------	-----------	-----------	-----------	------

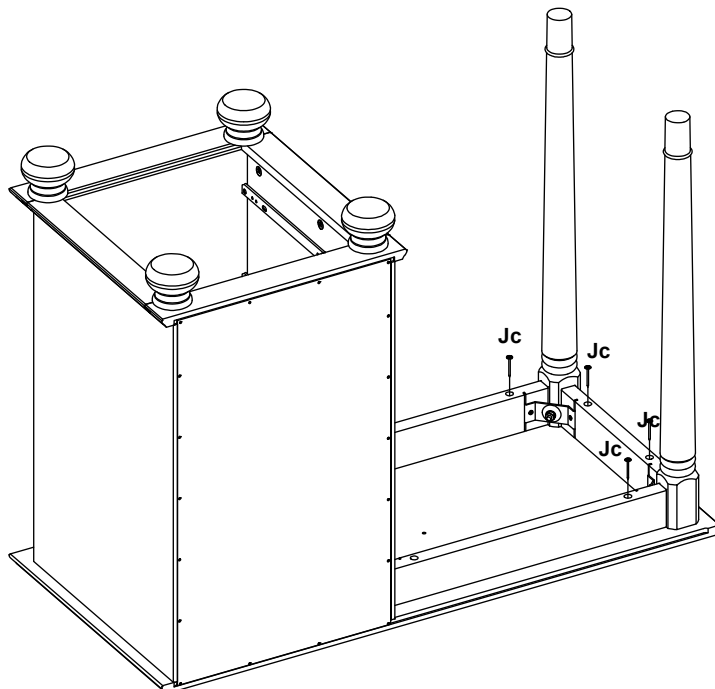
4 x 2 x 2 x 2 x 1 x



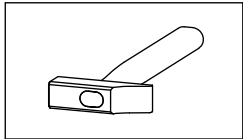
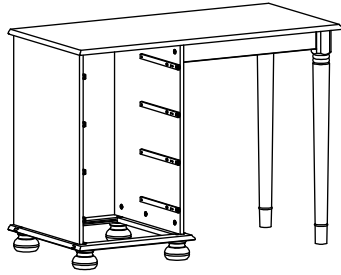
2.4

Jc	$\varnothing 4$ x 35mm
-----------	------------------------

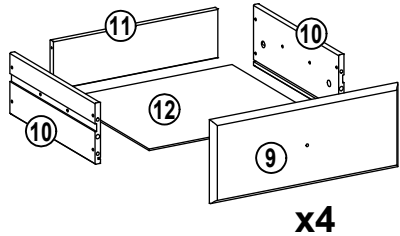
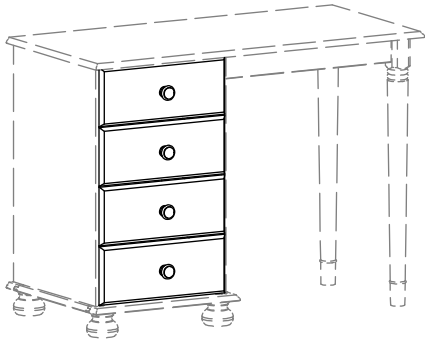
4 x



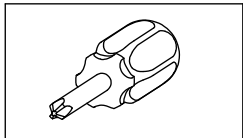
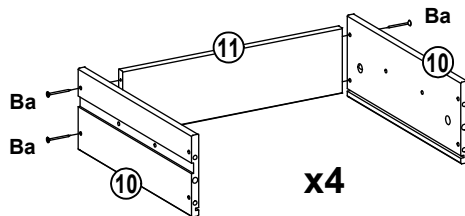
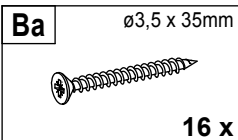
2.5



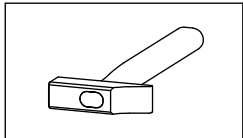
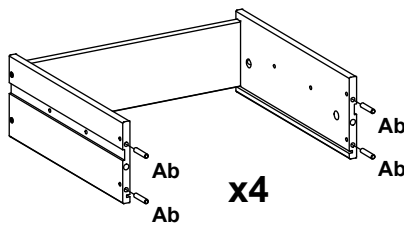
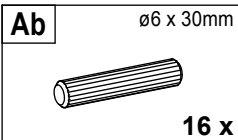
3



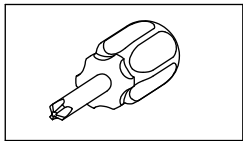
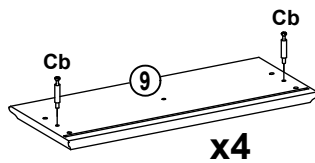
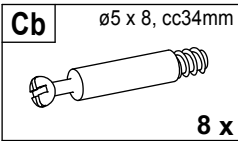
3.1



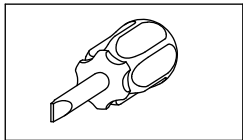
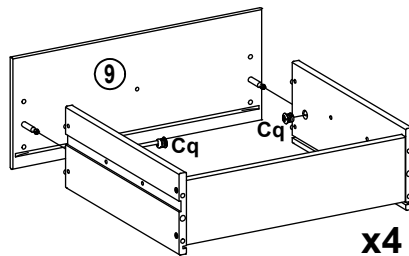
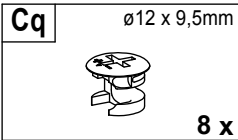
3.2



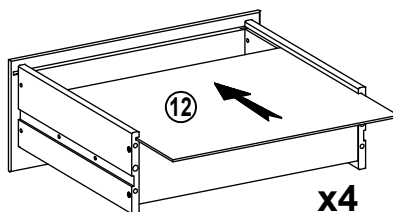
3.3



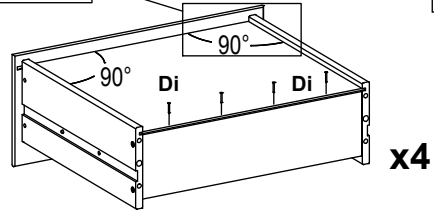
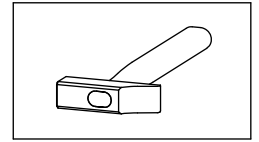
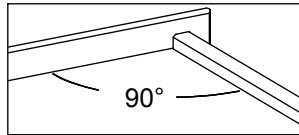
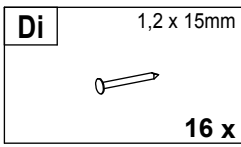
3.4



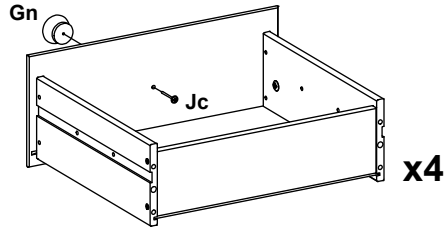
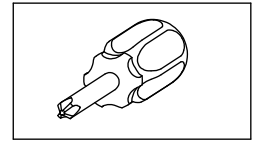
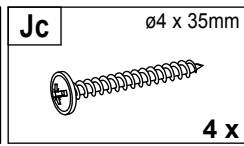
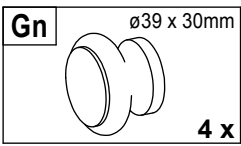
3.5



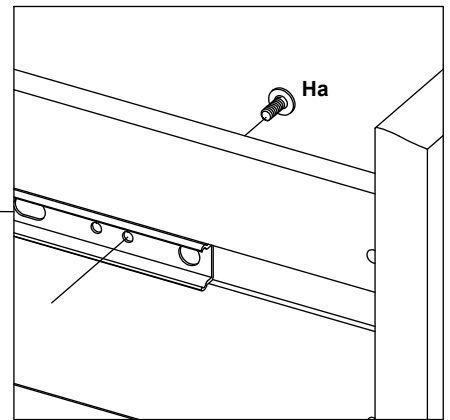
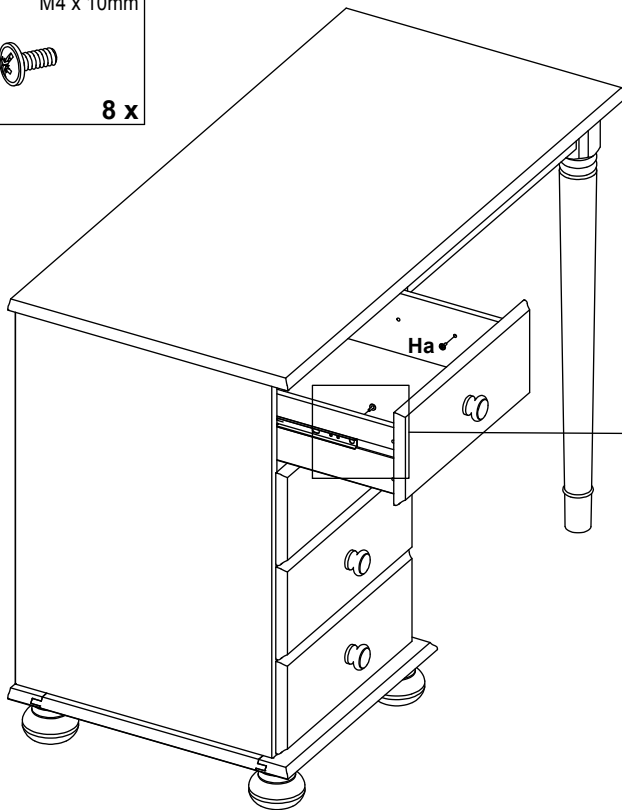
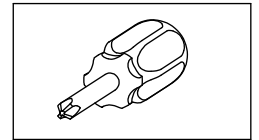
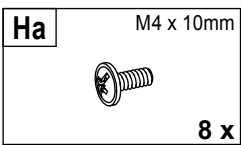
3.6



3.7



3.8



3.9

