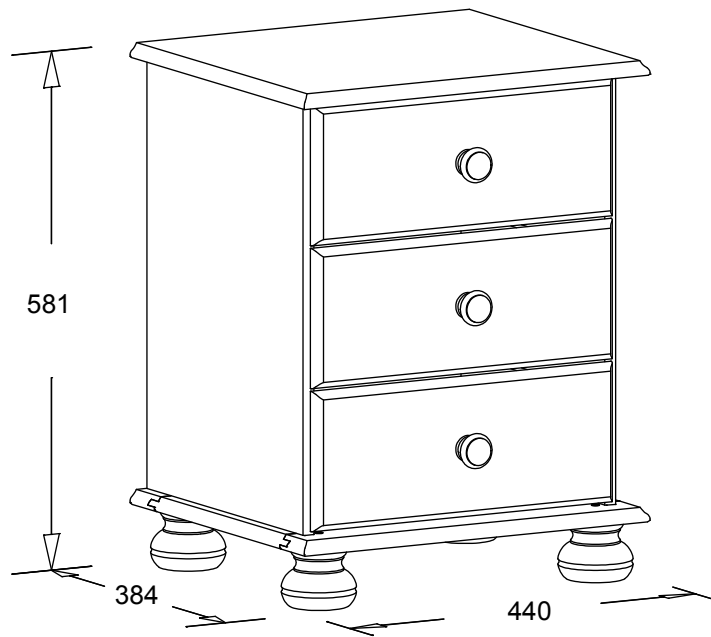
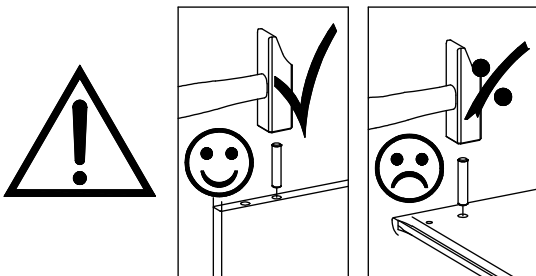


3 Drawer Chest

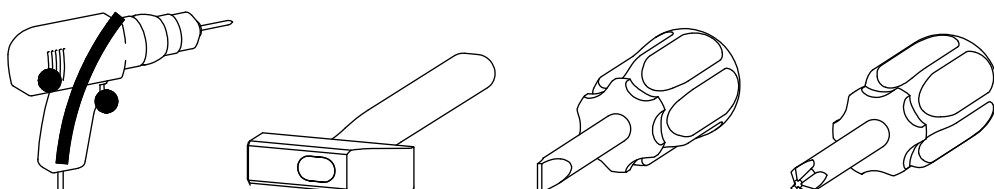
1010101
1010102
1010111

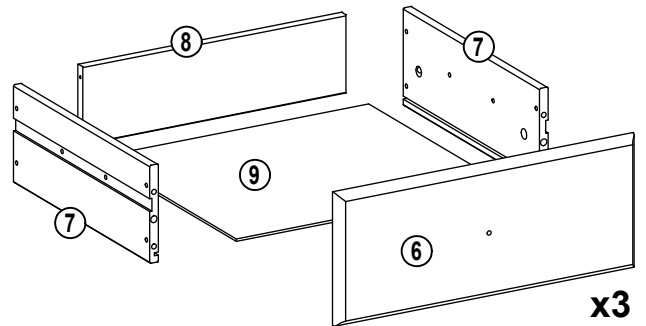
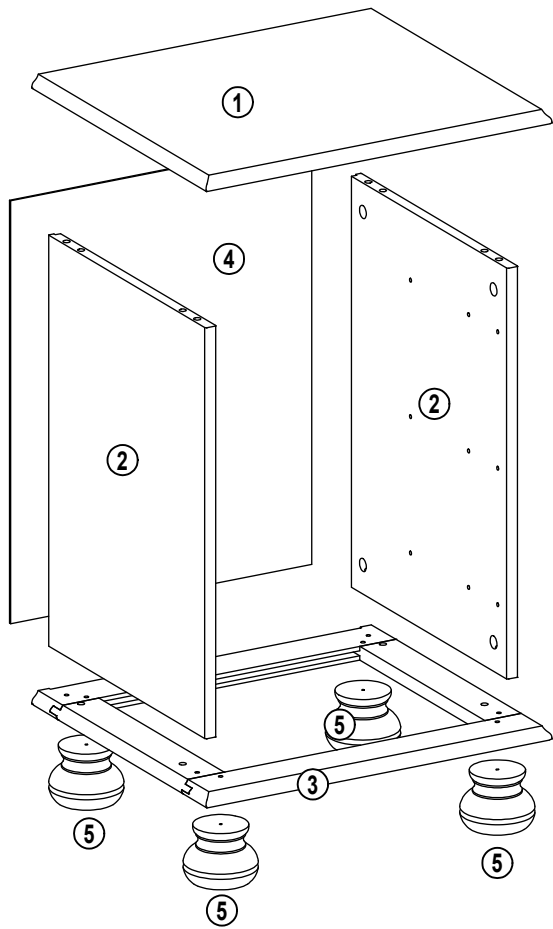


Important!



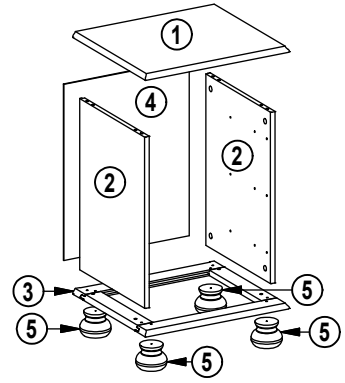
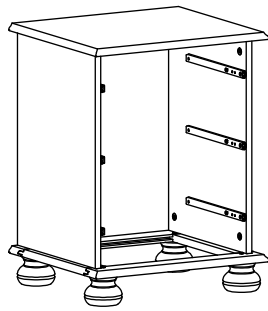
Please, read the assembly instruction carefully, before assembling.



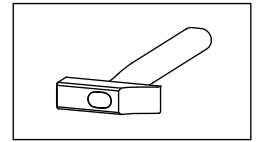
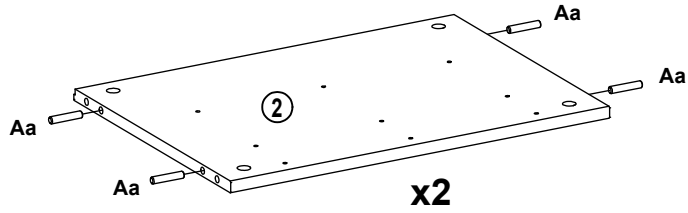
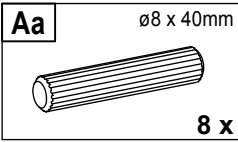


Aa $\varnothing 8 \times 40\text{mm}$ 8 x	Ab $\varnothing 6 \times 30\text{mm}$ 12 x	Ba $\varnothing 3,5 \times 35\text{mm}$ 12 x	Bh $\varnothing 4 \times 40\text{mm}$ 4 x	Ca $\varnothing 15 \times 10,5\text{mm}$ 8 x
Cb $\varnothing 5 \times 8, \text{cc}34\text{mm}$ 14 x	Cq $\varnothing 12 \times 9,5\text{mm}$ 6 x	Di $1,2 \times 15\text{mm}$ 50 x	Gn $\varnothing 39 \times 30\text{mm}$ 3 x	Ha $M4 \times 10\text{mm}$ 6 x
Jc $\varnothing 4 \times 35\text{mm}$ 3 x	Kb $\varnothing 5,8 \times 8\text{mm}$ 18 x	Sk $246 \times 17 \times 10\text{mm}$ 6 x		

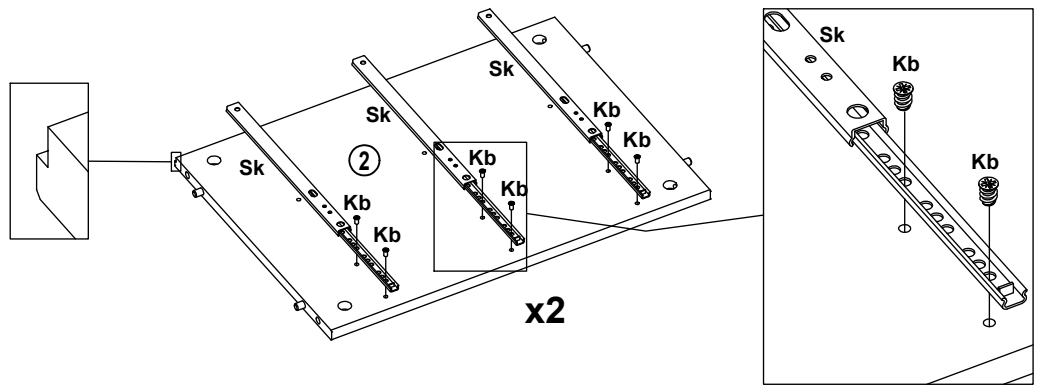
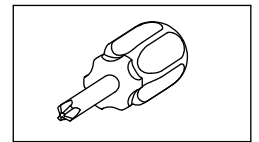
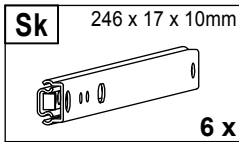
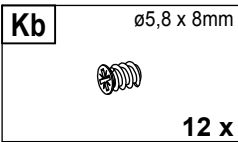
1



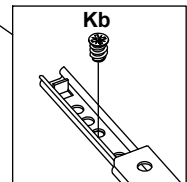
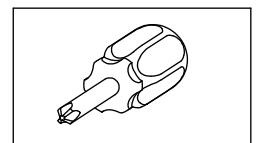
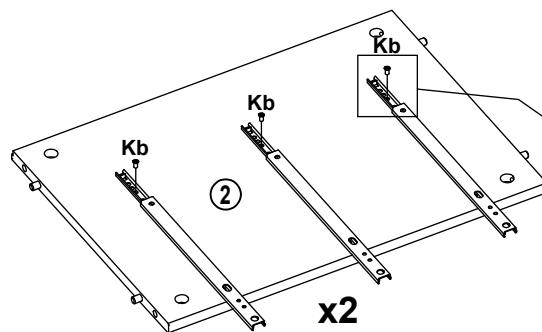
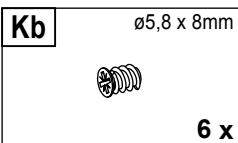
1.1



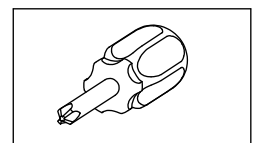
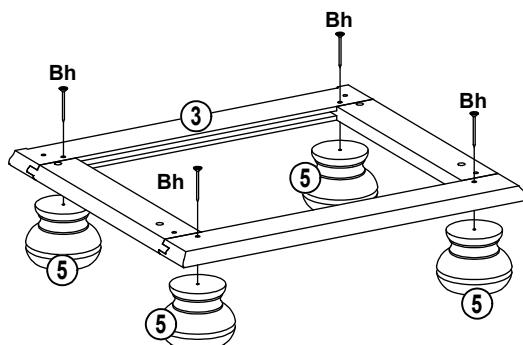
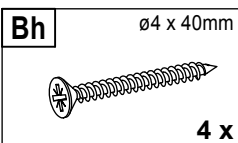
1.2



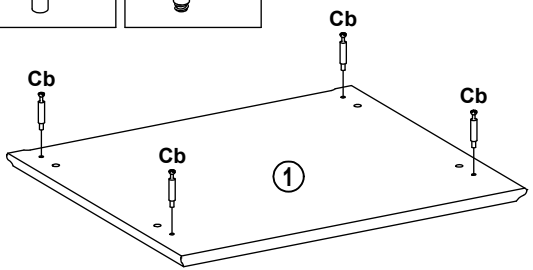
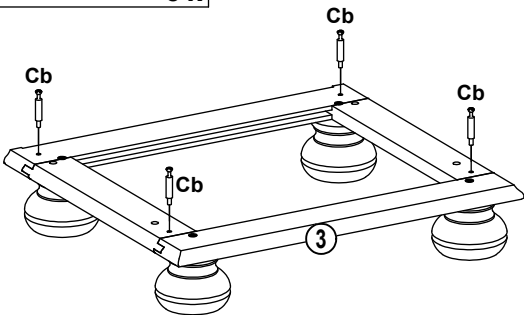
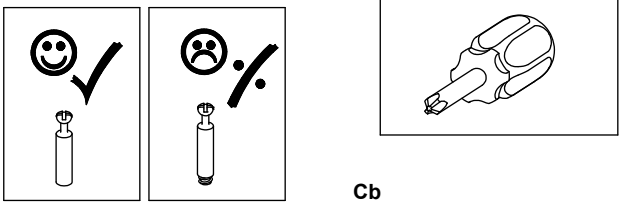
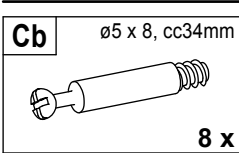
1.3



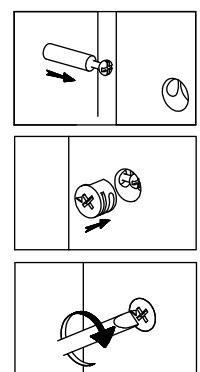
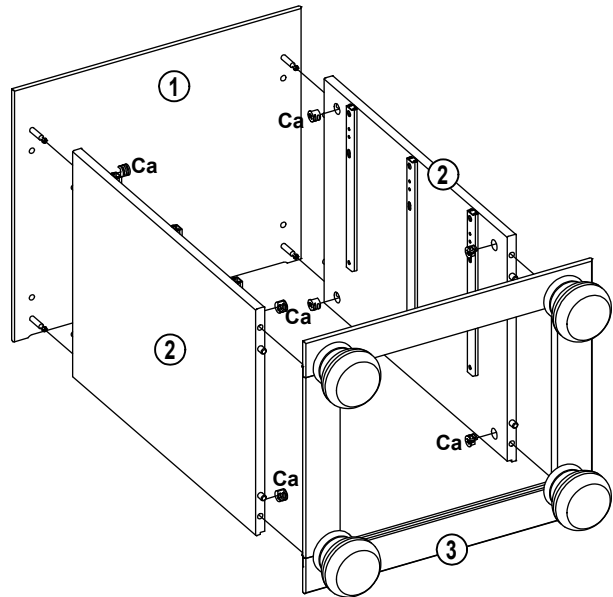
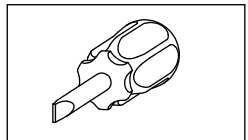
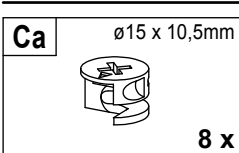
1.4



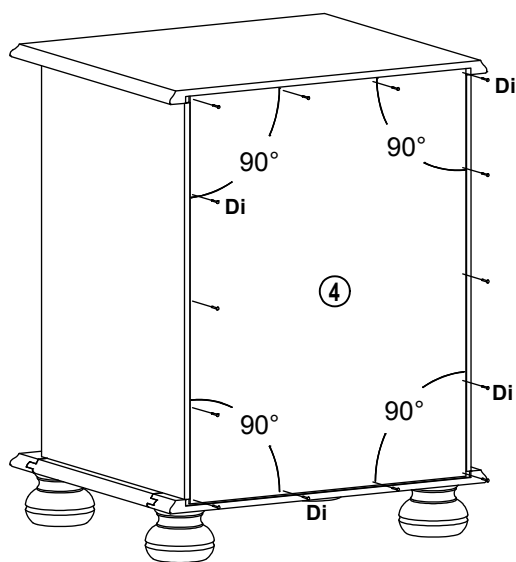
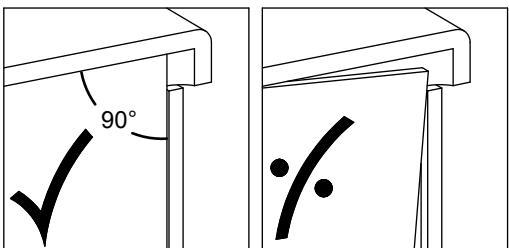
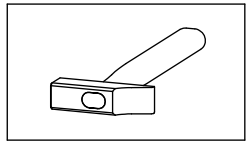
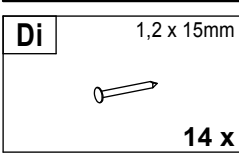
1.5



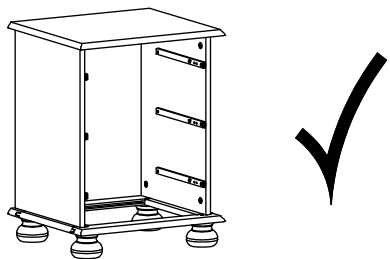
1.6



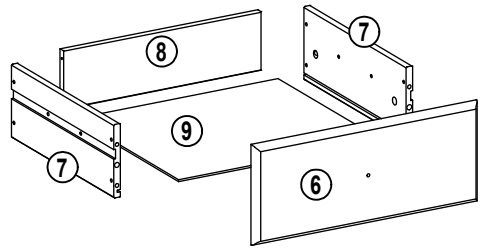
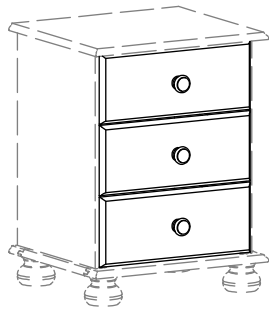
1.7



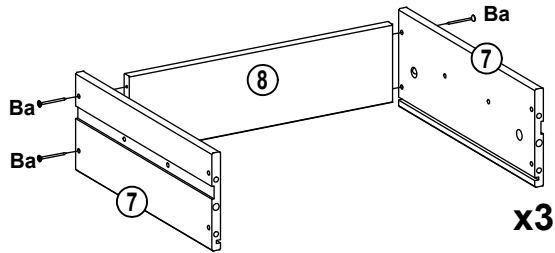
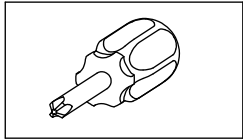
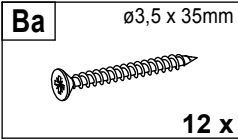
1.8



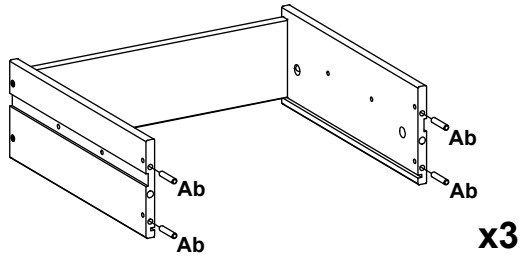
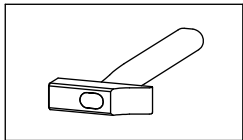
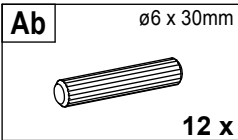
2



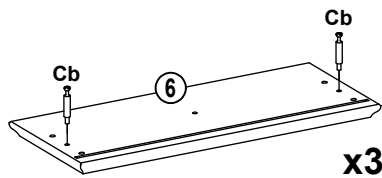
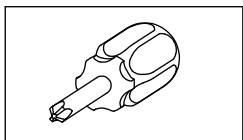
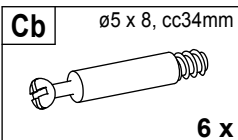
2.1



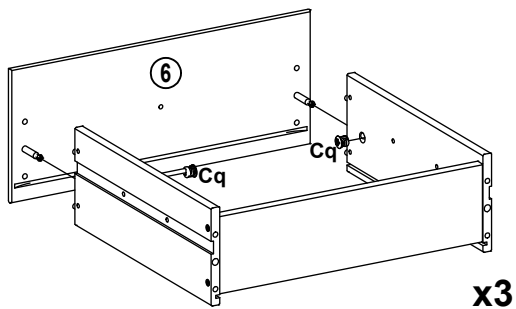
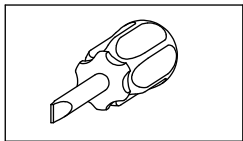
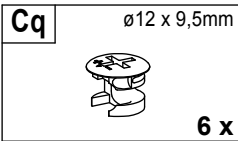
2.2



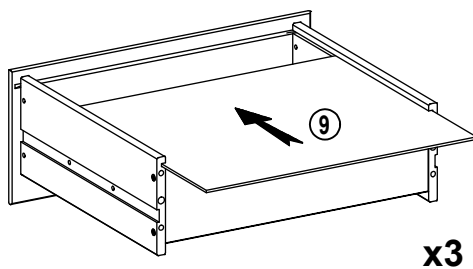
2.3



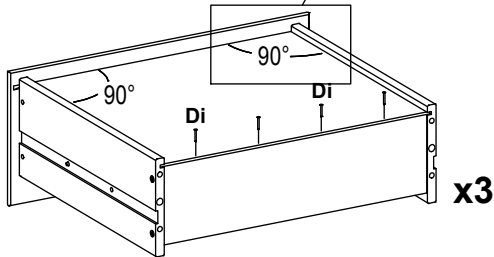
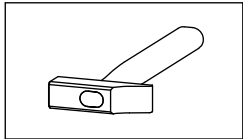
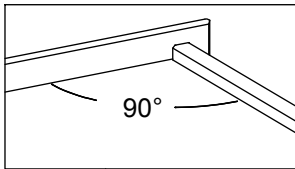
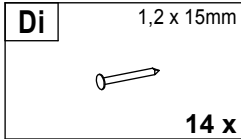
2.4



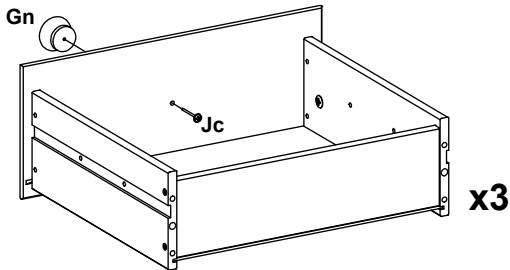
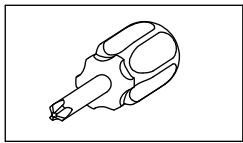
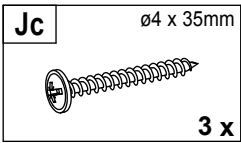
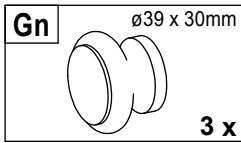
2.5



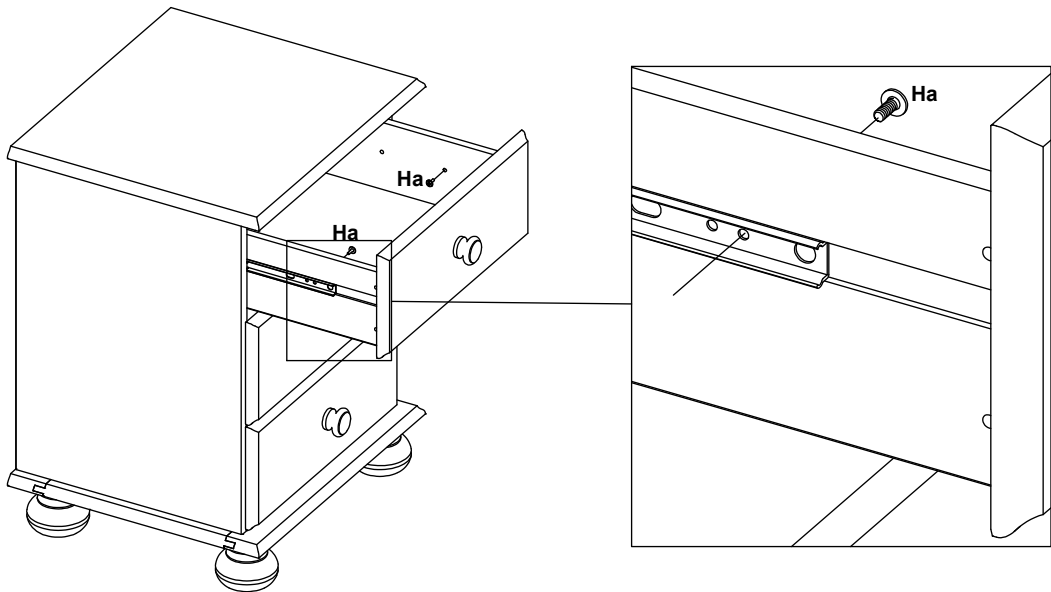
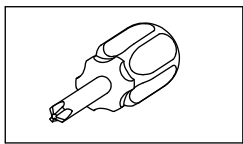
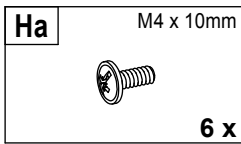
2.6



2.7



2.8



2.9

