

This article contains biocidal products to give protection against wood destroying insects & wood rotting fungi. Contents may vary. May contain : Basic copper carbonate (Copper (II) carbonate – Copper (II) hydroxide (1:1), Cupric oxide, Copper hydroxide carbonate, oxyethyl, ammoniumpropionate, Copper HDO, Propiconazole, Tebuconazole, Boric acid, Benzalkonium chloride. Wear gloves when handling freshly treated wood. Avoid breathing dust when cutting treated or untreated wood. Dispose of off-cuts responsibly – do not burn.

Pre-drill
for each screw
used.



Pent Garden Store OPPMSFP

This fixing pack covers multiple products. Please make sure you quote from the relevant parts list in the event you need to order missing or damaged parts.

Tools Required

Not Supplied

Drill/Pozi Drive
Screwdriver



Hammer



Sharp Knife



Tape Measure

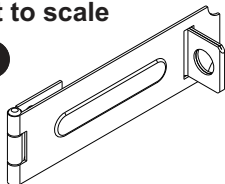


Spirit Level



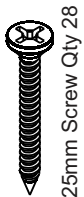
Fixing Pack Code = **OPPMSFP**
Not to scale

a



Hasp And Staple Qty 1

d



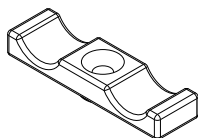
25mm Screw Qty 28

g



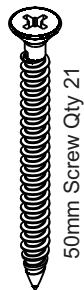
30mm Screw Qty 8

b



Turn Button Qty 2

e



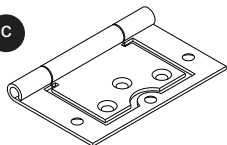
50mm Screw Qty 21

h



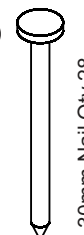
Felt Tacks Qty 40

c



Flush Hinge Qty 4

f



30mm Nail Qty 28

OPPGS (Overlap) PARTS LIST

Item	Part Code	Part Description	Quantity
1	OPMSBP	OLAP PTR MIDI STORE BACK PANEL	1
2	OPMSSP	OLAP PTR MIDI STORE SIDE PANEL	2
3	MSFRP	MIDI STORE FRONT PANEL	1
4	PMSDR	PTR MIDI STORE DOOR	2
5	SSBLID	SMALL STORAGE BOX LID	1
6	9534478	OSB 953x447x8mm	1
7	28280953PT	BATTEN 28x28x953mm PTREAT	2
8	38121079PPT	STRIP 38x12x1079mm PAR PTREAT	1
9	45280953PT	BATTEN 45x28x953mm PTREAT	1
10	37281073PT	BATTEN 37x28x1073mm PTREAT	1
11	44121255PPT	STRIP 44x12x1255mm PTREAT	2
12	56120391PAI4PT	BOARD 56x12x391mm PAR ANGLED	2
13	38120550PPT	STRIP 38x12x550mm PAR PTREAT	2
14	44161255PT	STRIP 44x16x1255mm PTREAT	2
15	85069	BLACK FELT 1.3x1 METRE	1

SPPGS (Shiplap) PARTS LIST

Item	Part Code	Part Description	Quantity
1	SPMSBP	SLAP PTR MIDI STORE BACK PANEL	1
2	SPMSSP	SLAP PTR MIDI STORE SIDE PANEL	2
3	MSFRP	MIDI STORE FRONT PANEL	1
4	PMSDR	PTR MIDI STORE DOOR	2
5	SSBLID	SMALL STORAGE BOX LID	1
6	9534478	OSB 953x447x8mm	1
7	28280953PT	BATTEN 28x28x953mm PTREAT	2
8	38121079PPT	STRIP 38x12x1079mm PAR PTREAT	1
9	45280953PT	BATTEN 45x28x953mm PTREAT	1
10	37281073PT	BATTEN 37x28x1073mm PTREAT	1
11	44121255PPT	STRIP 44x12x1255mm PTREAT	4
12	56120391PAI4PT	BOARD 56x12x391mm PAR ANGLED	2
13	38120550PPT	STRIP 38x12x550mm PAR PTREAT	2
15	85068	GREEN FELT 1.3x1 METRE	1

Attention:

- For Domestic Use Only.
- Must be built on a **solid** and **level** base.
- Regularly check that all fixing are tight and secure.
- Regularly check the felt for damage.

Important:

Assembly of this product requires a minimum of two adults.

Please check all parts prior to assembly.

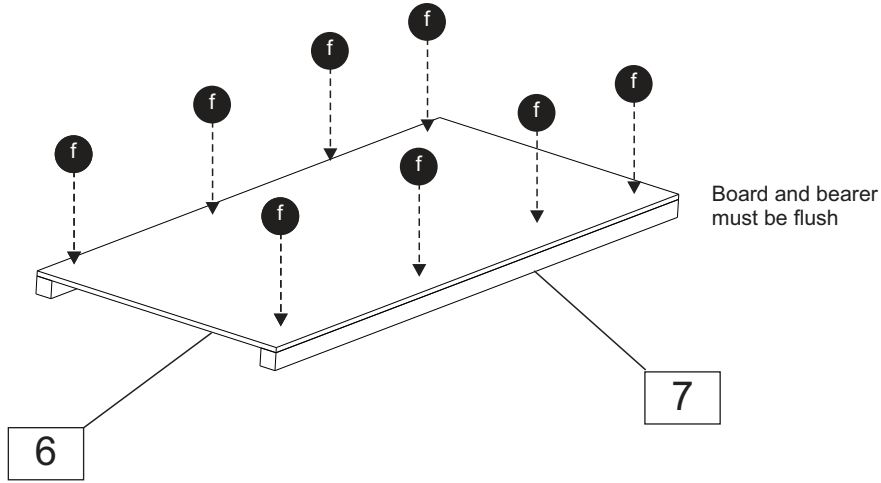
This product is pressure treated to ensure longevity of all timber components and to protect against rot. This may leave a colour difference on some parts that will even out as the moisture content stabilises. This will not need additional treatment.

- Please keep all plastic bags and small parts away from children.
- The roof of this product is not a load bearing structure.
- Timber is a natural material and will shrink and swell as a result of varying moisture content.

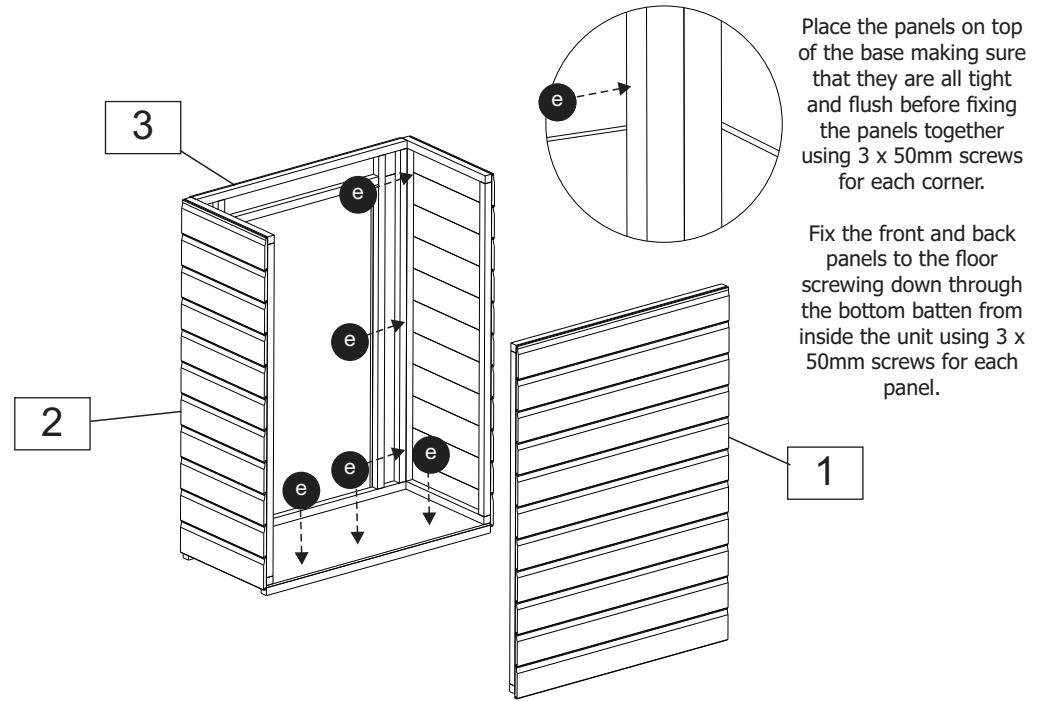
Assembly of damaged parts may be deemed to be acceptance and this may affect the remedies you are entitled to. If the product is not constructed in accordance with the instructions, or is altered in anyway (e.g. painted), the manufacturer cannot be held liable for any resulting damage.

Help line: **0333 7777 089** 08:30 to 17:00 Monday to Friday

A Floor Assembly



B



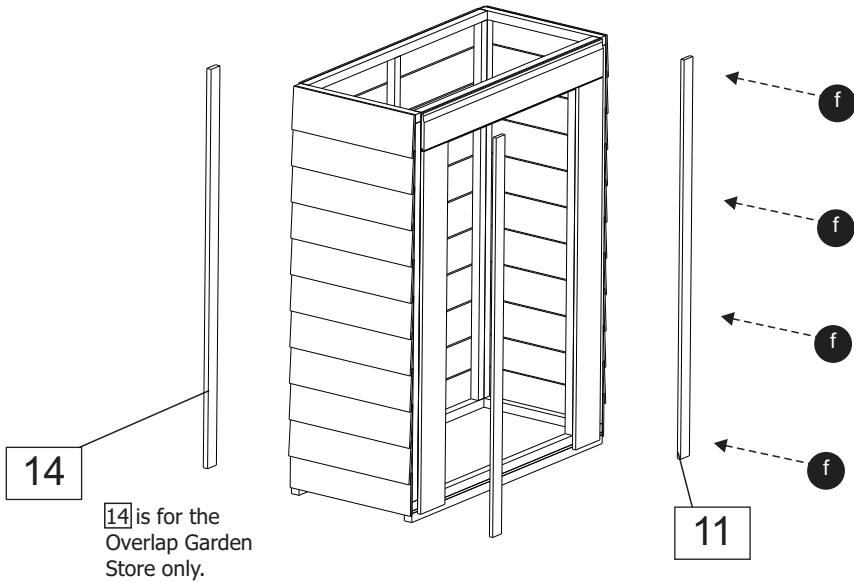
PRE-DRILL

PRE-DRILL

PRE-DRILL

C

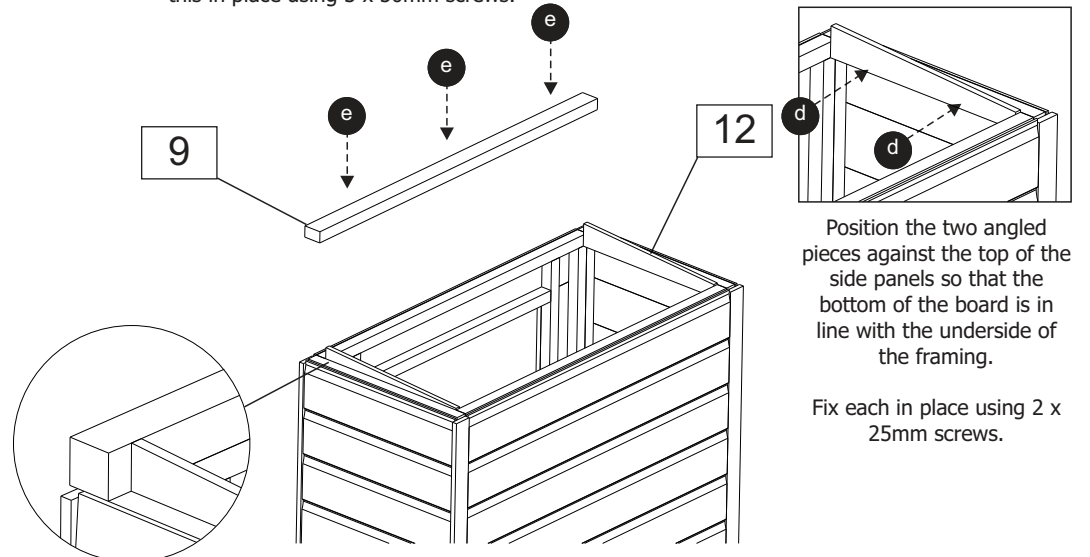
Fix each of the corner strips along the edges so that they are flush and fix each in place using 4 x nails.

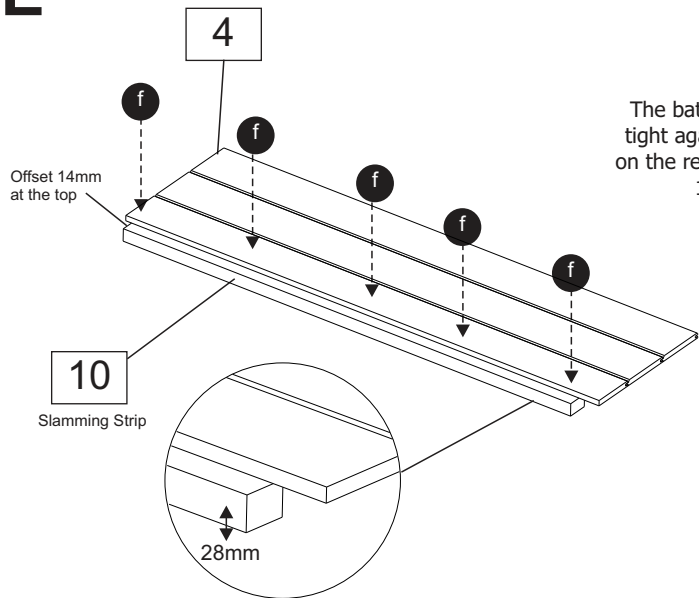


D

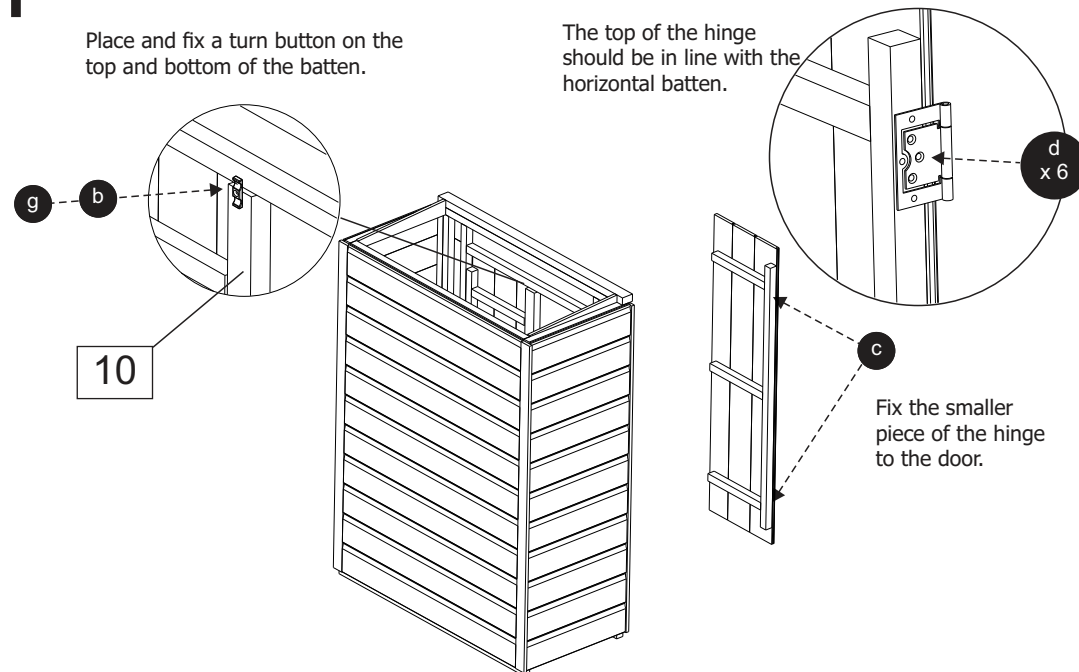
The roof can be positioned so that it slopes towards the back or front.

Place the batten on top of the door end and fix this in place using 3 x 50mm screws.



E

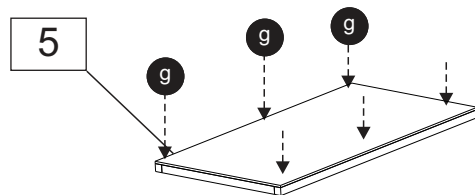
The batten should be fixed so it is tight against the horizontal battens on the reverse of the door and offset 14mm from the top.

F

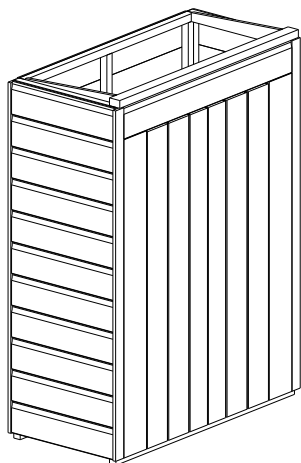
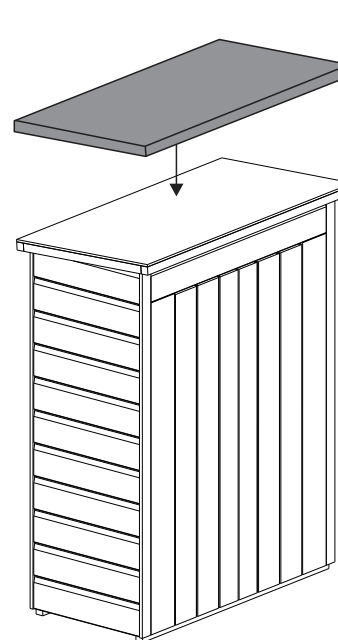
PRE-DRILL 

PRE-DRILL 

PRE-DRILL 

G

Fix the roof to the unit screwing down through the OSB sheet into the framing at the front and back using 30mm screws.

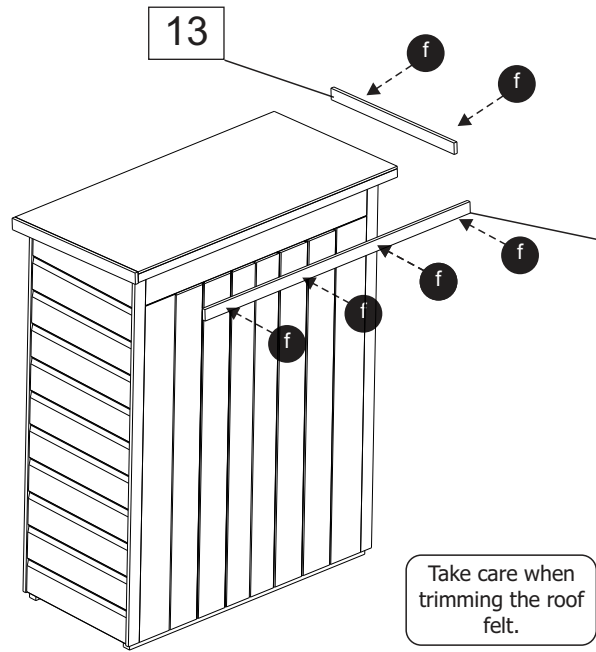
**H**

Place the felt over the roof so that there is a 45mm overhang on the front and sides and allow a small overhang at the back. Secure the felt to the roof nailing into the battens from the sides and in 150mm intervals.

Cut and fold the felt at the corners as shown.

Take care when trimming the roof felt.

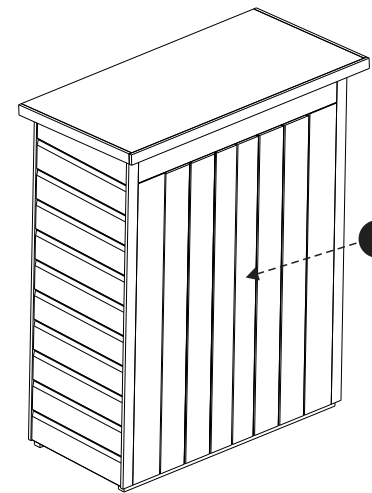
I



Starting with the side Barge Boards first, place each board so that they are in line with the roof and flush at the corners. The front board will overlap the sides.

Fix each board using 30mm nails.

J



Position and line up the hasp and staple with framing on the inside of the door.

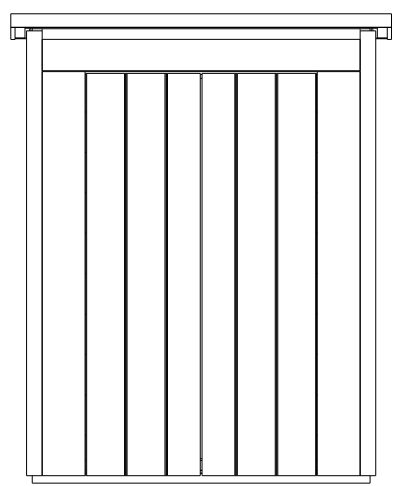
PRE-DRILL

PRE-DRILL

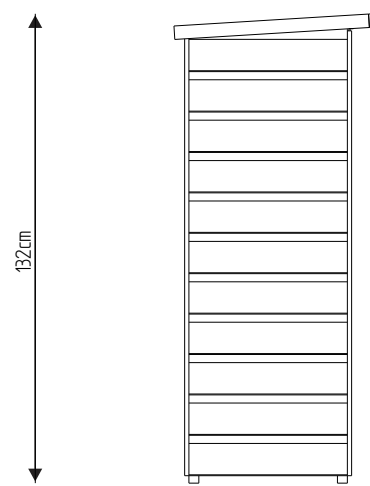
PRE-DRILL

107cm

56cm



98cm



47cm

132cm