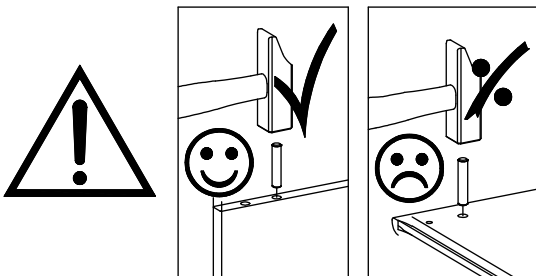


4+2 Drawer Chest

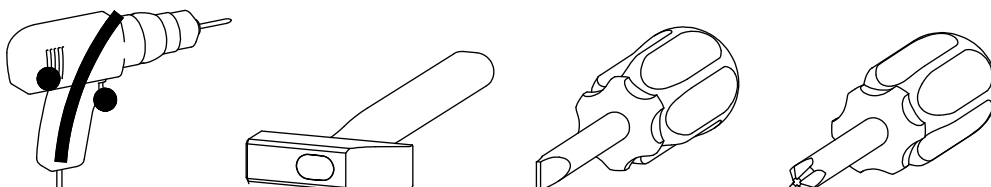
1010602
1010601
1010611

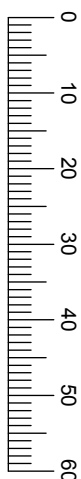
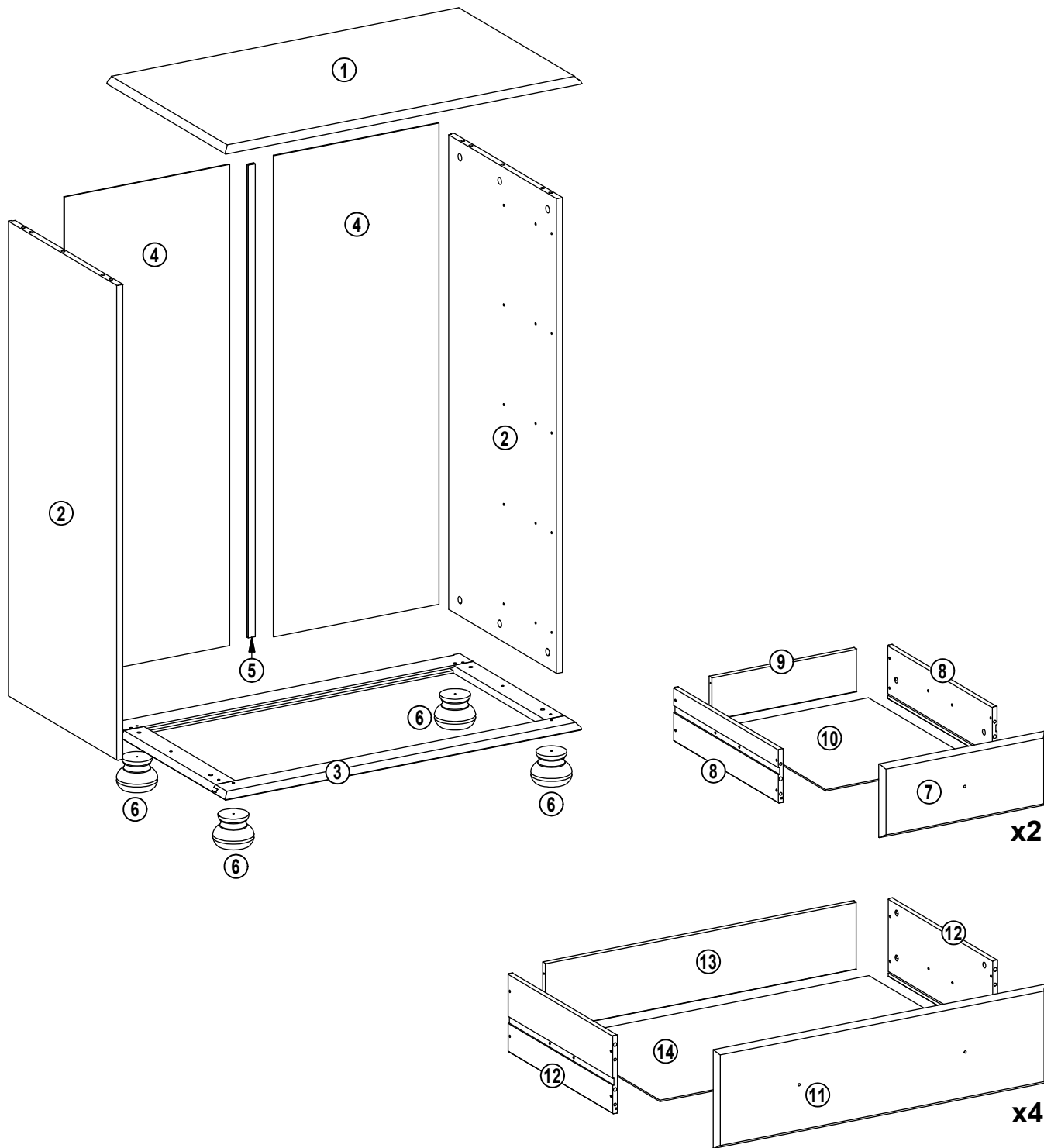


Important!



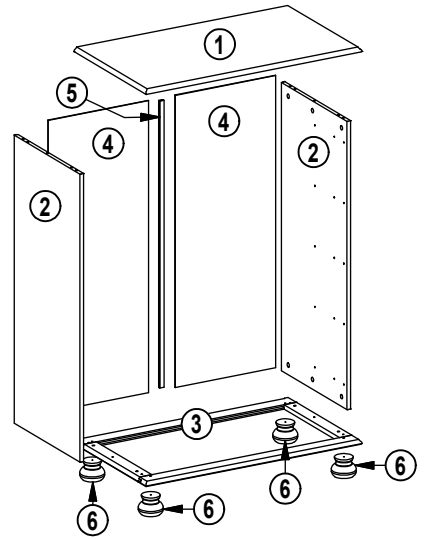
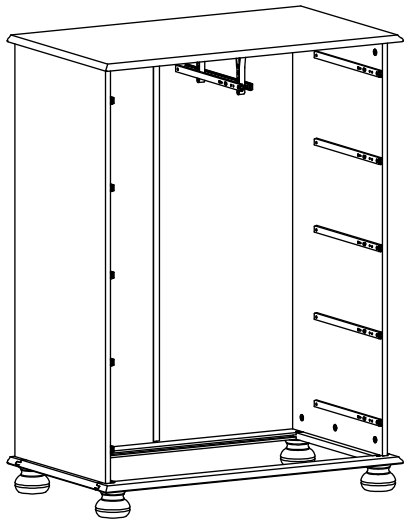
Please, read the assembly instruction carefully, before assembling.



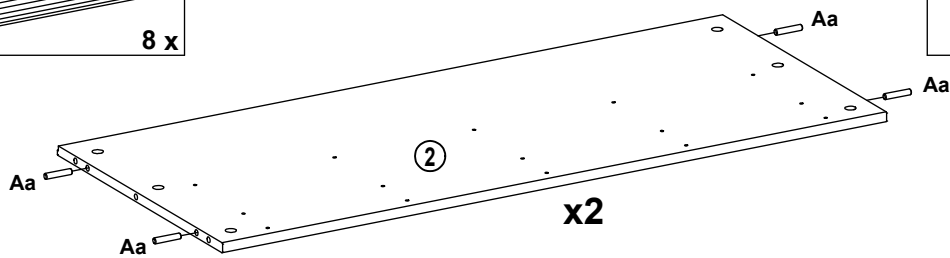
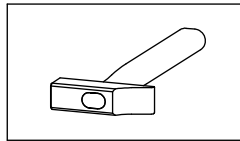
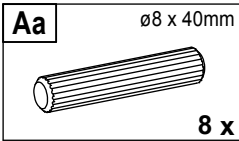


Aa ø8 x 40mm 8 x	Ab ø6 x 30mm 24 x	Ba ø3,5 x 35mm 24 x	Bc ø3,5 x 15mm 4 x	Bh ø4 x 40mm 4 x
Ca ø15 x 10,5mm 12 x	Cb ø5 x 8, cc34mm 32 x	Cq ø12 x 9,5mm 20 x	Di 1,2 x 15mm 75 x	Gn ø39 x 30mm 10 x
Ha M4 x 10mm 12 x	Jc ø4 x 35mm 10 x	Kb ø5,8 x 8mm 34 x	Sa 310 x 17 x 10mm 12 x	Wb 2 x

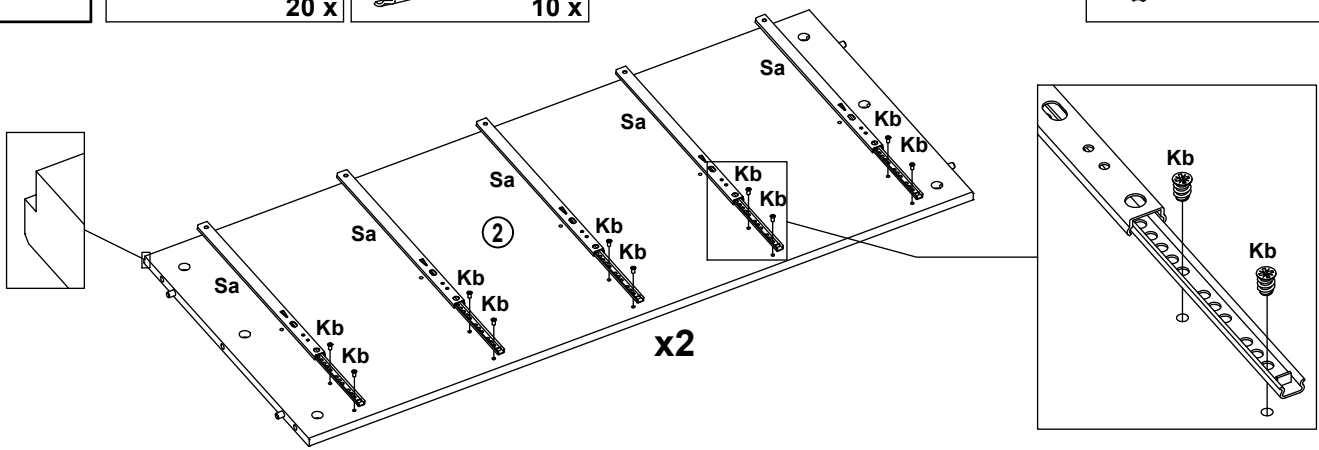
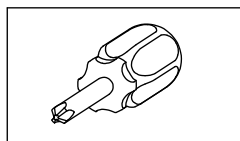
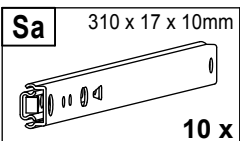
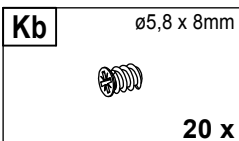
1



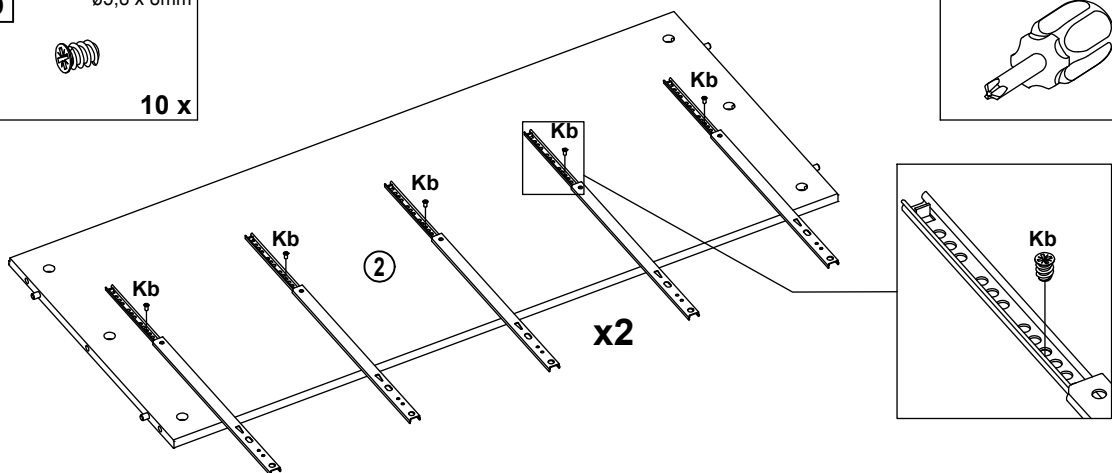
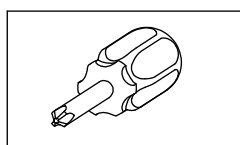
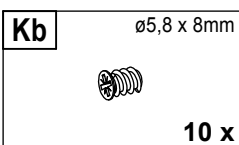
1.1




1.2

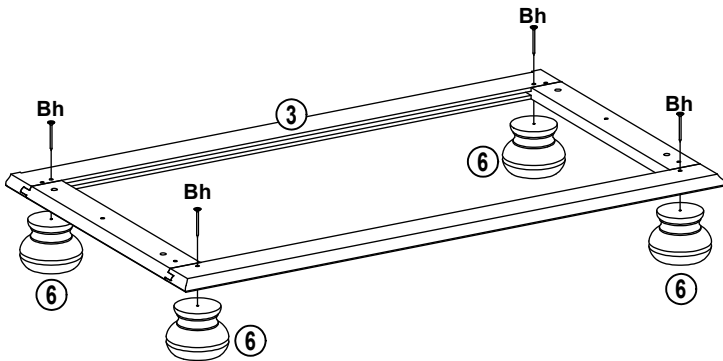
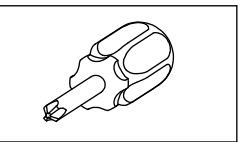


1.3





1.4

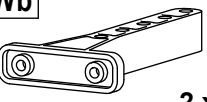
Bh $\varnothing 4 \times 40\text{mm}$

 4 x

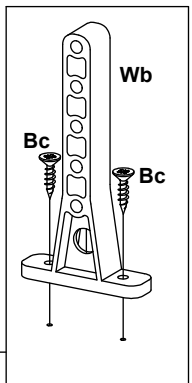
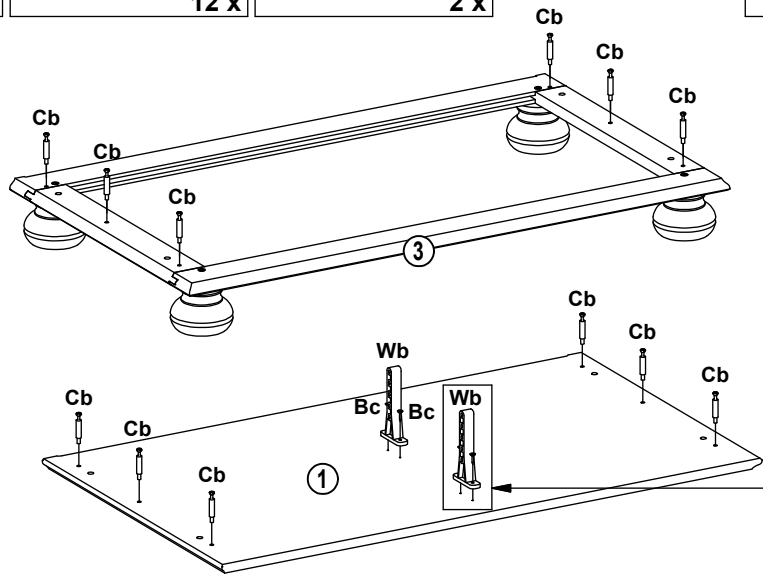
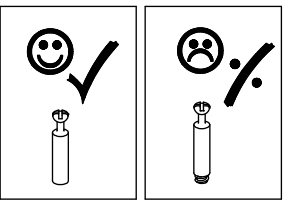
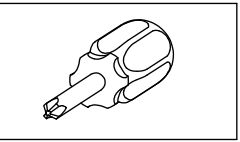


1.5


Bc $\varnothing 3,5 \times 15\text{mm}$

 4 x

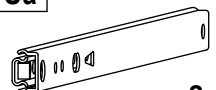
Cb $\varnothing 5 \times 8, \text{cc}34\text{mm}$

 12 x

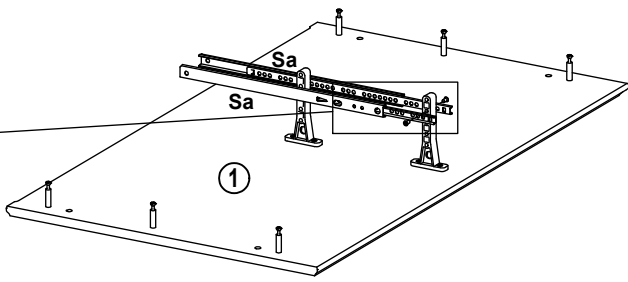
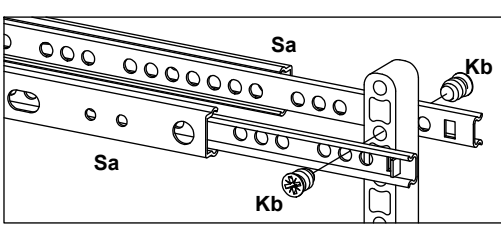
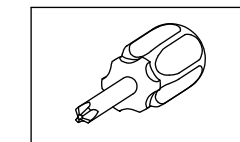
Wb

 2 x




1.6

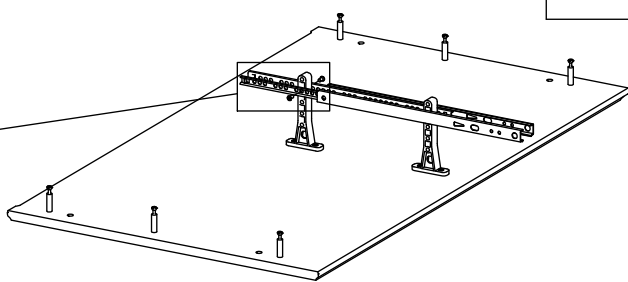
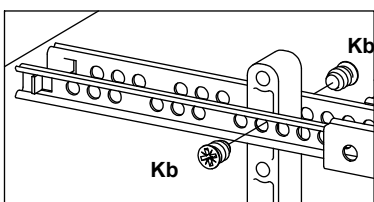
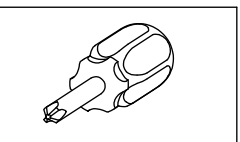
Kb $\varnothing 5,8 \times 8\text{mm}$

 2 x

Sa $310 \times 17 \times 10\text{mm}$

 2 x




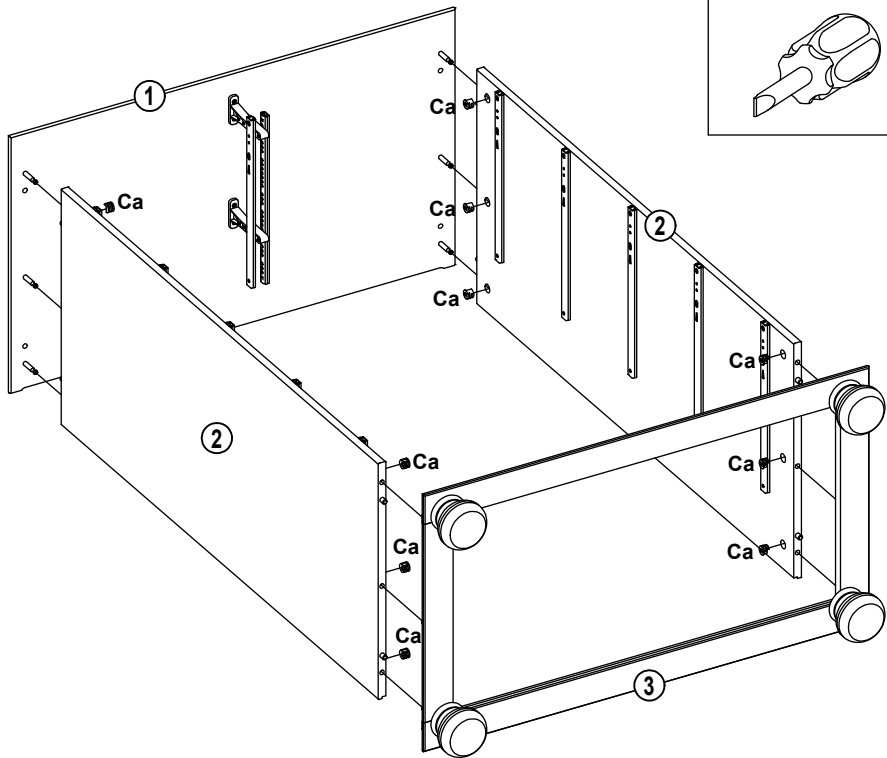
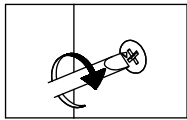
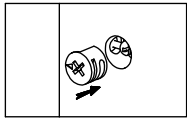
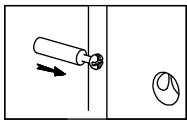
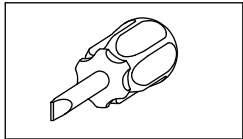
1.7

Kb $\varnothing 5,8 \times 8\text{mm}$

 2 x

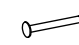


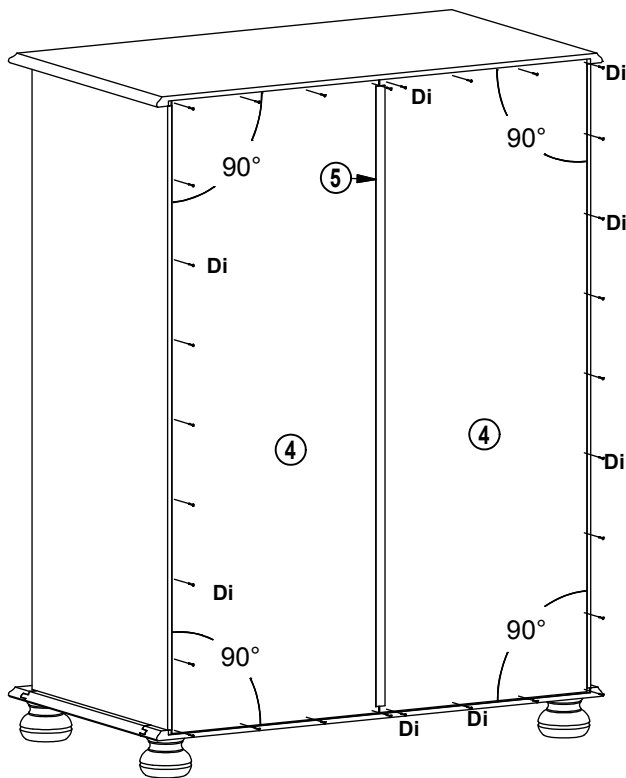
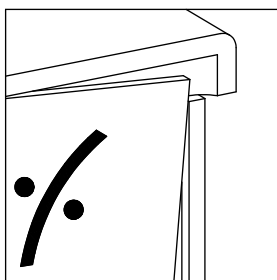
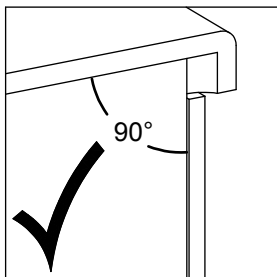
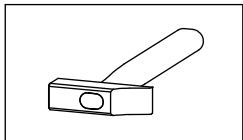
1.8

Ca $\varnothing 15 \times 10,5\text{mm}$

12 x

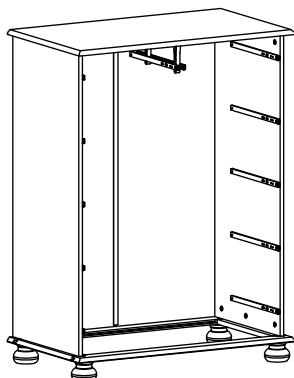


1.9

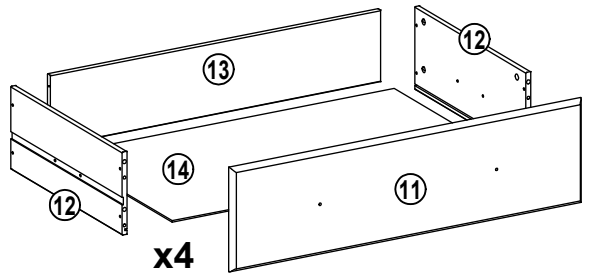
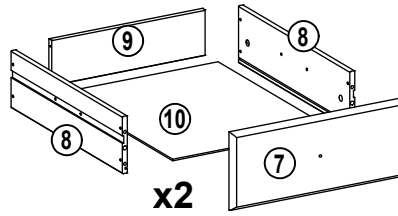
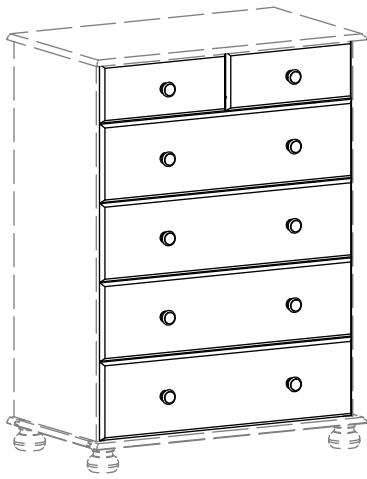
Di $1,2 \times 15\text{mm}$

30 x



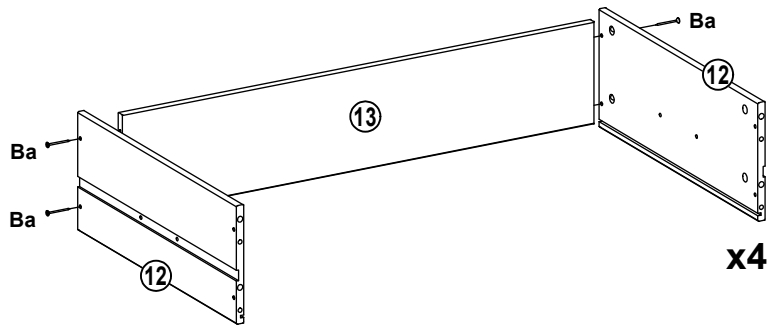
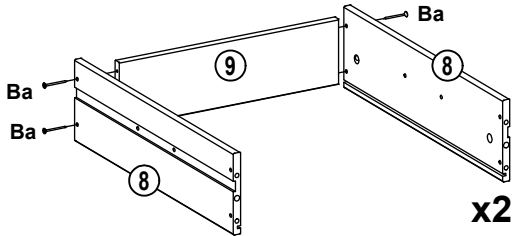
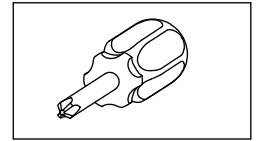
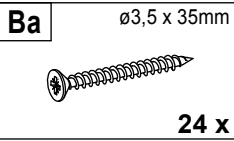
1.10



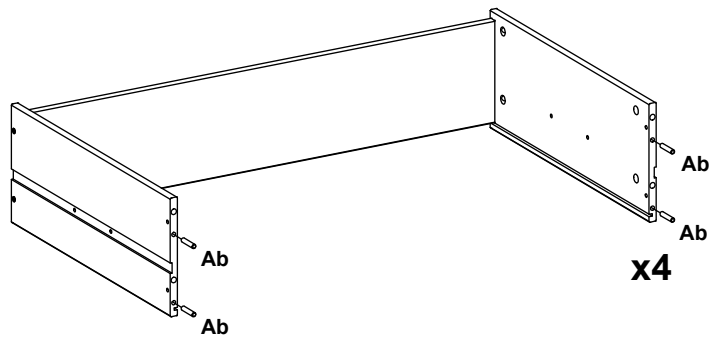
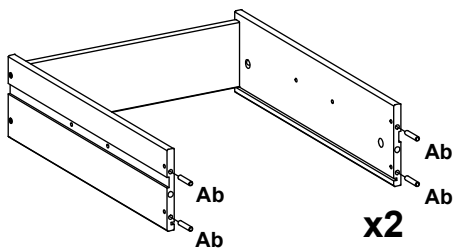
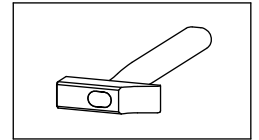
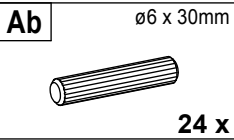
2



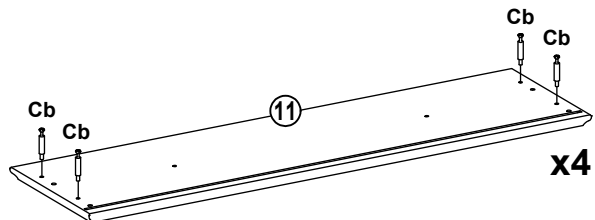
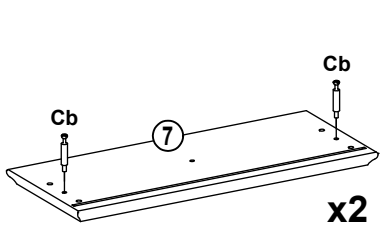
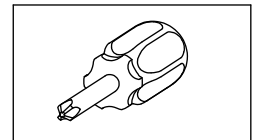
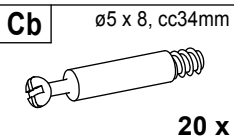
2.1




2.2

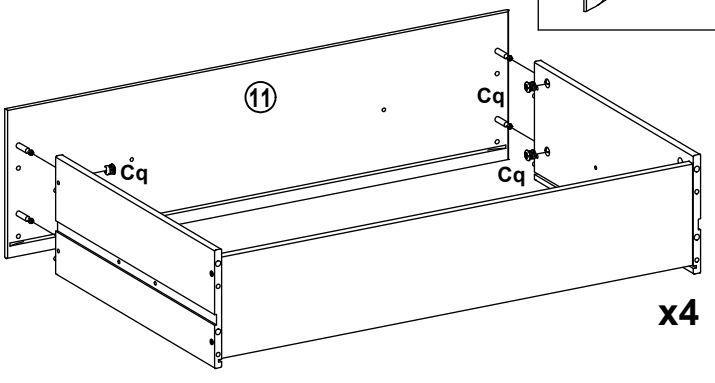
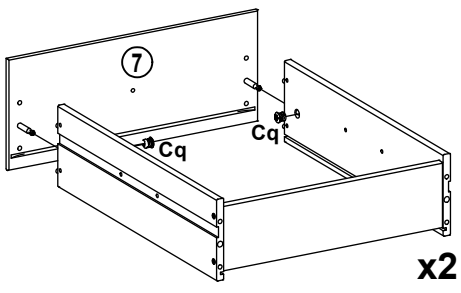
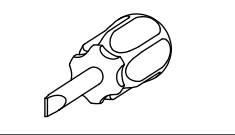


2.3

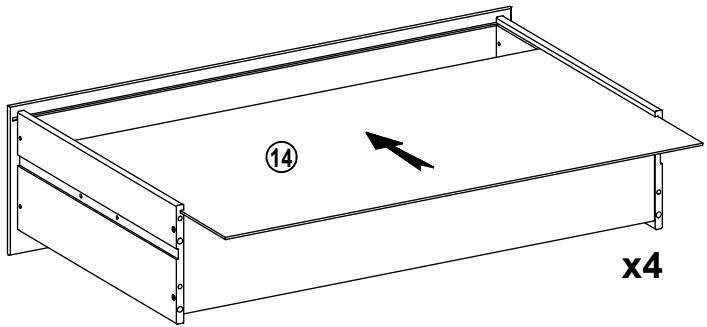
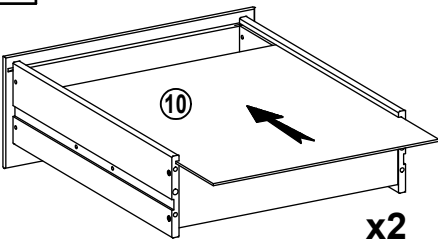


2.4

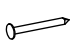
Cq $\varnothing 12 \times 9,5\text{mm}$

20 x

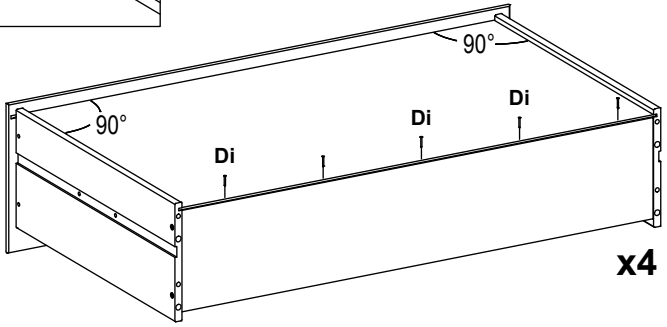
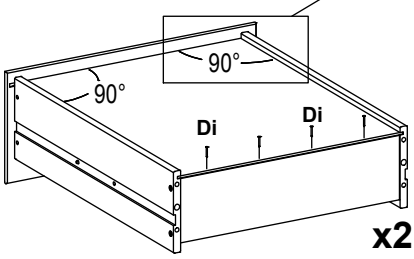
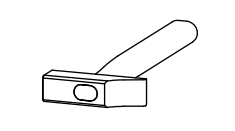
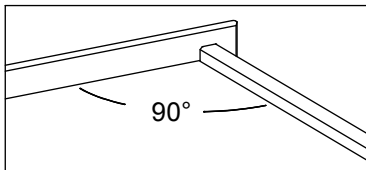


2.5




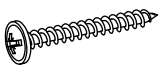
2.6

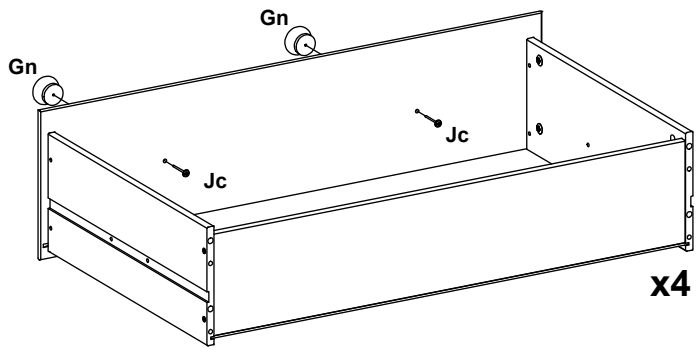
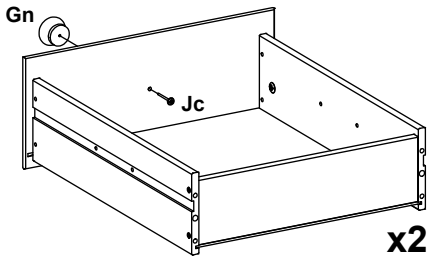
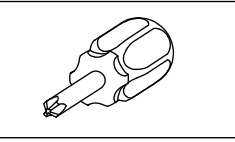
Di $1,2 \times 15\text{mm}$

28 x




2.7

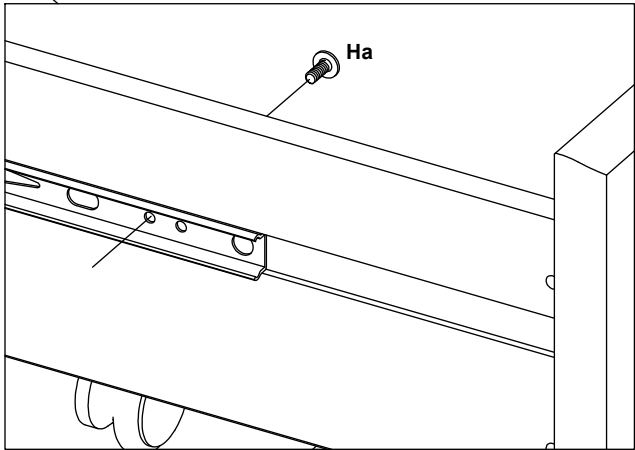
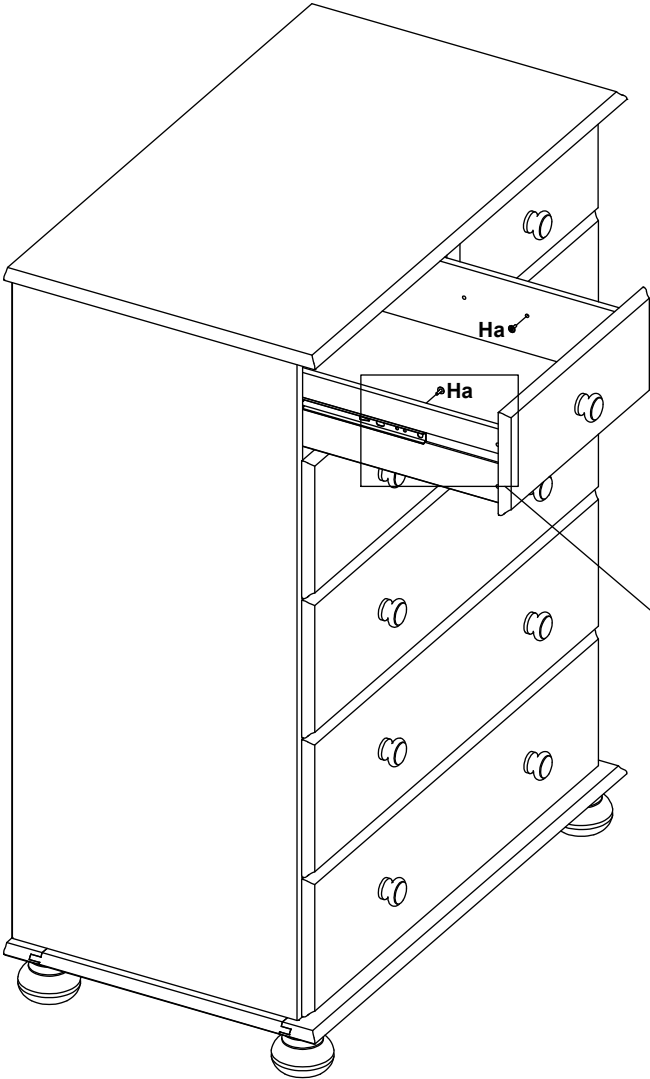
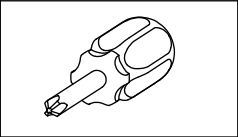
Gn $\varnothing 39 \times 30\text{mm}$

10 x

Jc $\varnothing 4 \times 35\text{mm}$

10 x



2.8

Ha M4 x 10mm

12 x



2.9

