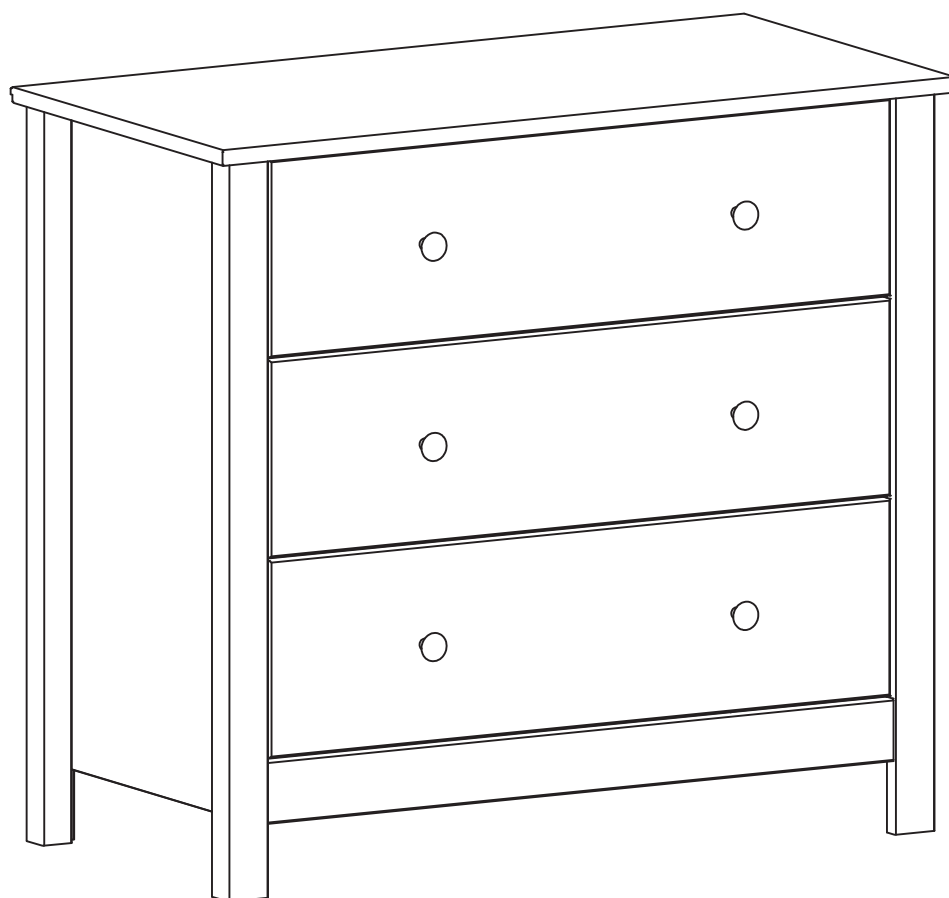


# 3 Drawer Chest



## Dimensions

Width : 80.1 cm

Depth : 40.0 cm

Height: 72.4 cm

**Assembly Instructions - Please keep for future reference**

**For parts and service issues please contact your retailer.**



# Safety and Care Advice

## Important - Please read these instructions fully before starting assembly

- Check you have all the components and tools listed on pages 2 and 3.
- Remove all fittings from the plastic bags and separate them into their groups.
- Keep children and animals away from the work area, small parts could choke if swallowed.
- Make sure you have enough space to layout the parts before starting.

- Do not stand or put weight on the product, this could cause damage.
- Assemble the item as close to its final position (in the same room) as possible.
- Assemble on a soft level surface to avoid damaging the unit or your floor.
- Parts of the assembly will be easier with 2 people.



- We do not recommend the use of power drill/drivers **for inserting screws**, as this could damage the unit. Only use hand screwdrivers.
- Dispose of all packaging carefully and responsibly.

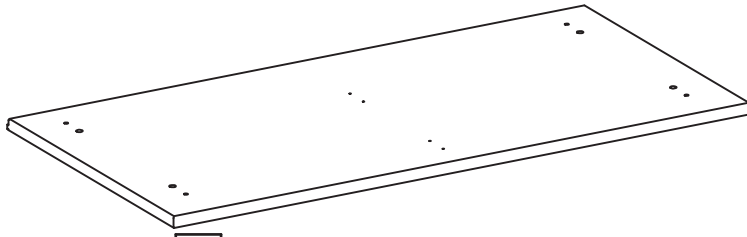
## Care and maintenance

- Only clean using a damp cloth and mild detergent, do not use bleach or abrasive cleaners.
- From time to time check that there are no loose screws on this unit.
- This product should not be discarded with household waste. Take to your local authority waste disposal centre.

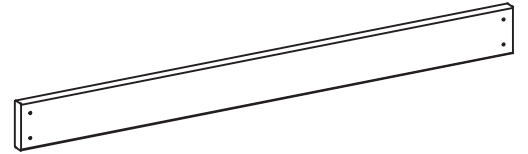
**Note:** if required the next page can be cut out and used as reference throughout the assembly. Keep this page with these instructions for future reference.

# Components - Panels

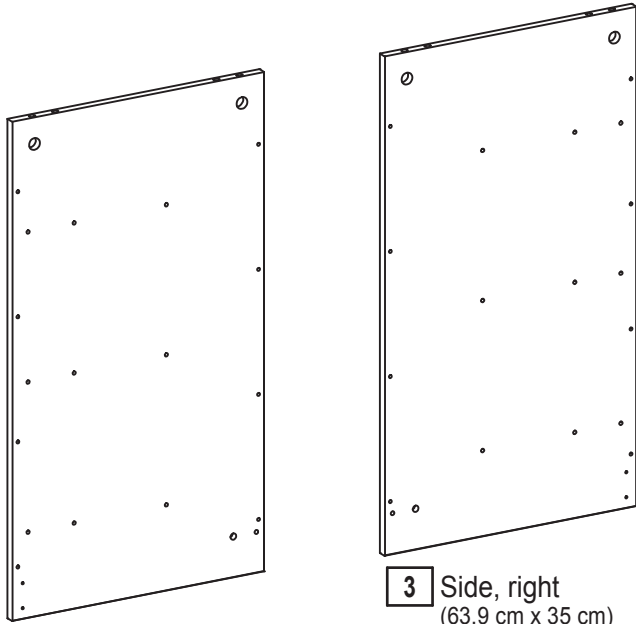
Please check you have all the panels listed below



**1** Top  
(80,1 cm x 40 cm)

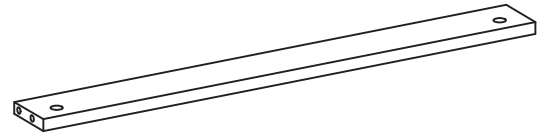


**4** Front rail  
(68,3 cm x 6 cm)

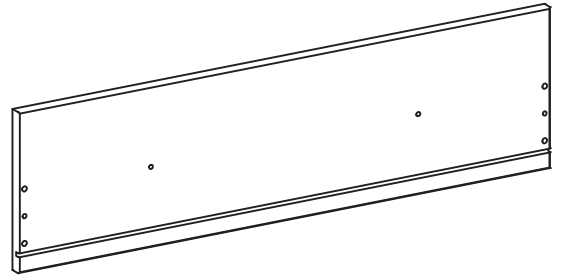


**2** Side, left  
(63,9 cm x 35 cm)

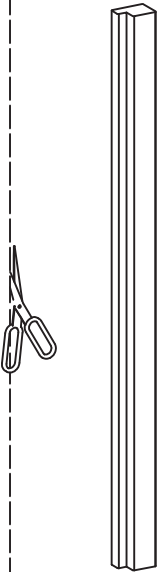
**3** Side, right  
(63,9 cm x 35 cm)



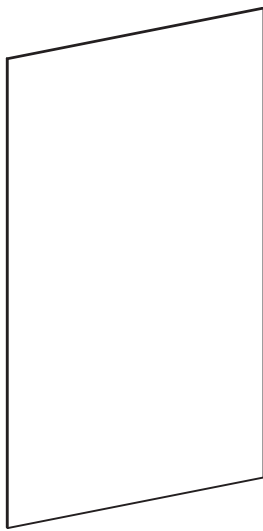
**5** Back rail  
(68,3 cm x 7 cm)



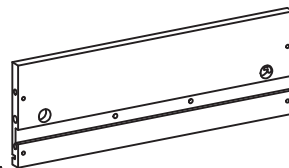
**8** Drawer front x 3  
(67,7 cm x 18,9 cm)



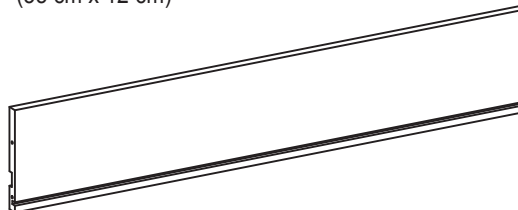
**6** Post x 4  
(70,9 cm x 4,4 cm)



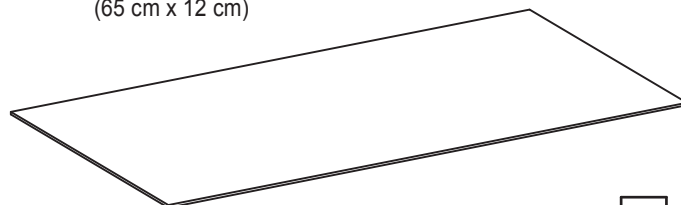
**7** Back x 2  
(60,0 cm x 35,5 cm)



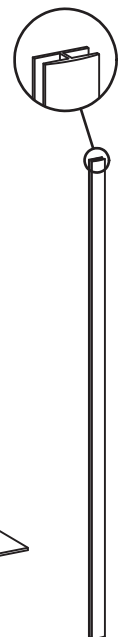
**9** Drawer side, right/left x 6  
(35 cm x 12 cm)



**10** Drawer back x 3  
(65 cm x 12 cm)



**11** Drawer bottom x 3  
(66,0 cm x 34,7 cm)





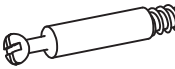









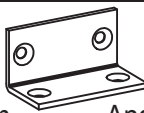


**12** H-Profile  
(56,0 cm x 1,7 cm)

# Components - Fittings

Please check you have all the parts listed below

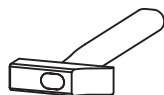
Note: The quantities below are the correct amount to complete the assembly. In some cases more fittings may be supplied than are required.

<b>Aa</b>  ø7.8 x 40mm Wooden dowel x 6	<b>Ab</b>  ø6 x 30mm Wooden dowel x 12	<b>Bp</b>  ø3 x 35mm Screw x 12
<b>Ca</b>  ø15 x 10.5mm Cam x 12	<b>Cb</b>  ø5 x 8, cc34mm Bolt x 12	<b>Di</b>  1.2 x 15mm Nail x 25
<b>Fi</b>  Back fitting w. ø3.5 x 15mm Screw x 6	<b>Ge</b>  ø27 x 24mm Metal Knob x 6	<b>Hd</b>  M4 x 20mm Screw x 6
<b>Hk</b>  M4 x 9mm Screw x 6	<b>Jb</b>  ø4 x 25mm Screw x 16	<b>Kb</b>  ø5.8 x 8mm Screw x 18
<b>Ko</b>  ø4,2 x 9,5mm Screw x 8	<b>Sk</b>  245 x 17 x 10mm Drawer runner x 6	<b>VI</b>  44 x 23 x 23mm Angle x 2

## Tools required



Phillips screwdriver  
(Medium & large)

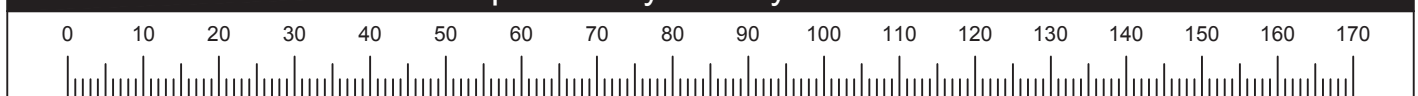


Hammer



Flatblade screwdriver  
(Medium)

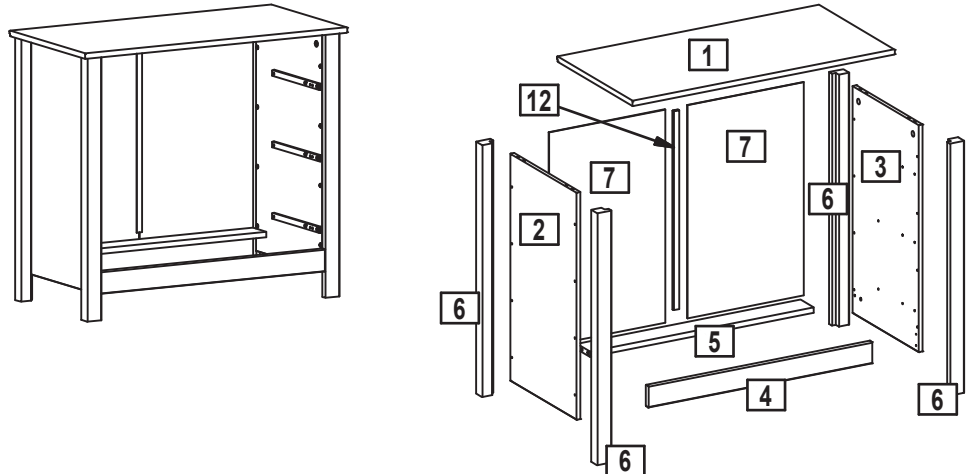
## Ruler - Use this ruler to help correctly identify the screws



# Assembly Instructions

## Step 1

Assembly of the chest.



## Step 1.1

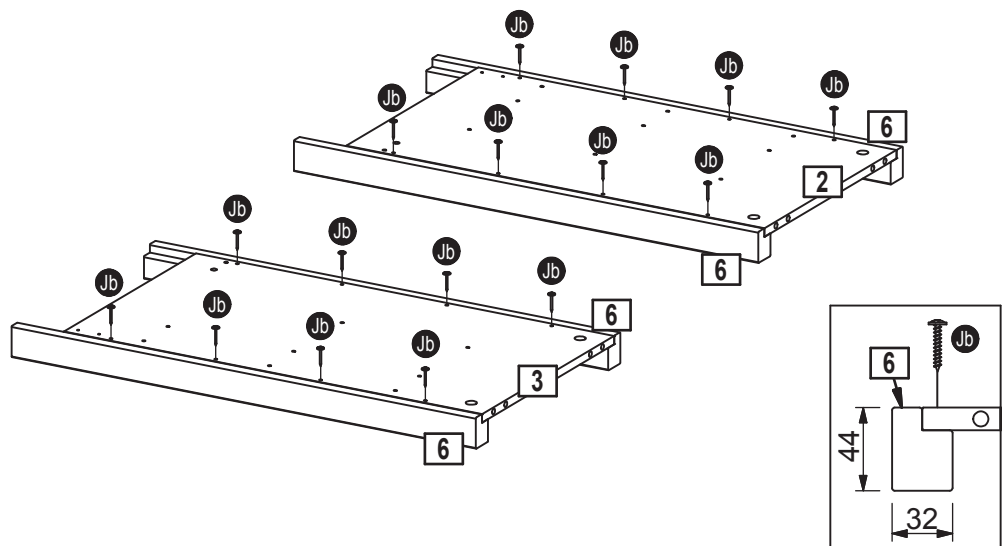
Fix the posts **6** onto the sides **2** and **3** using screws **Jb** into the holes indicated.

The top of the posts **6** and the sides **2** and **3** must be flush.

**Jb**



ø4 x 25mm Screw x 16



## Step 1.2

Knock the dowels **Aa** into the holes indicated on the sides **2** and **3** using a small hammer.

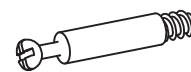
Screw the bolts **Cb** into the holes indicated on the sides **2** and **3**.

**Aa**

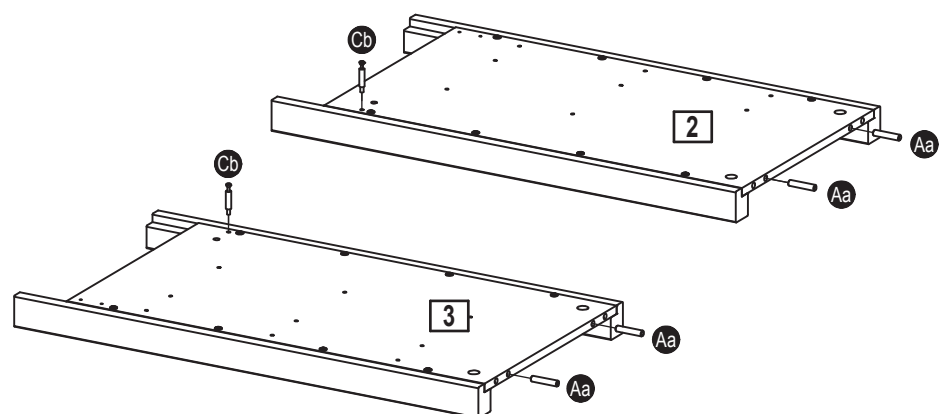


ø7.8 x 40mm Wooden dowel x 4

**Cb**



ø5 x 8, cc34mm Bolt x 2



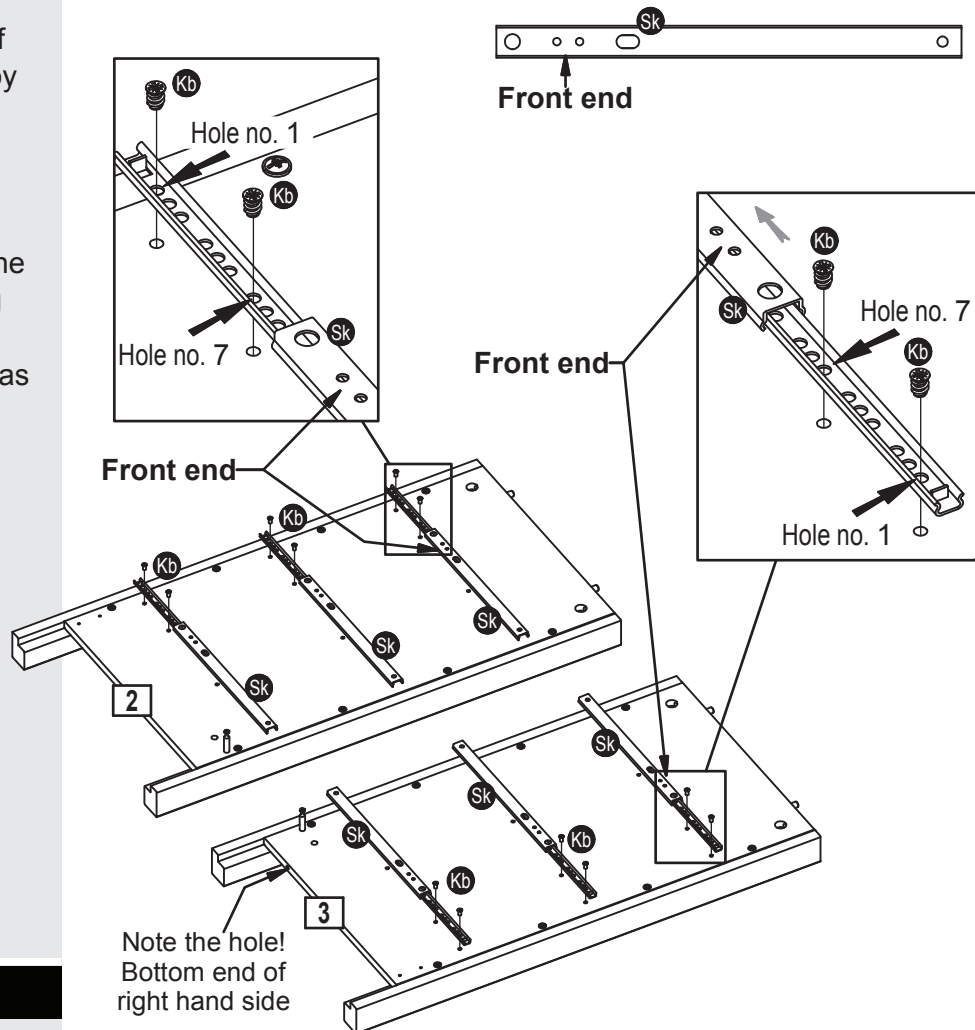
# Assembly Instructions

## Step 1.3

Slide the top of the drawer runners **Sk** backwards. You can identify the front end of the drawer runner **Sk** by the two M4 holes. See details.

Fix the front end of the drawer runners **Sk** to the sides **2** and **3** using screws **Kb** through the holes number 1 and 7 as indicated.

See details.

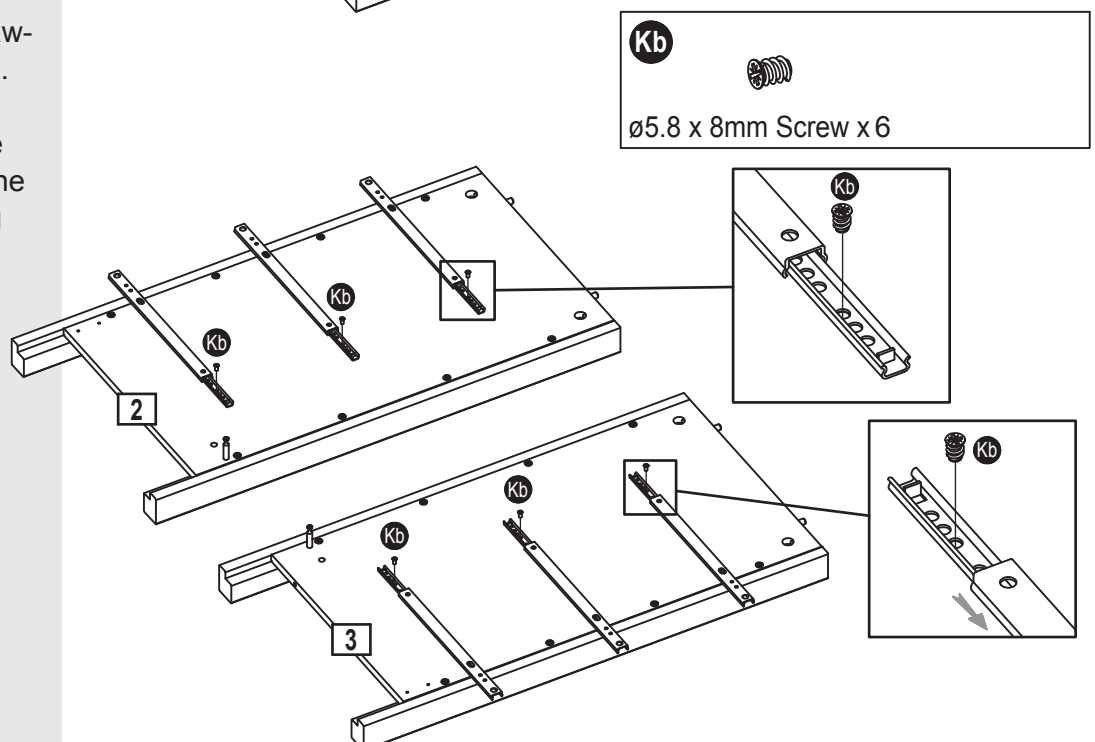


## Step 1.4

Slide the top of the drawer runners **Sk** forwards.

Fix the back end of the drawer runners **Sk** to the sides **2** and **3** using screws **Kb** through the holes indicated.

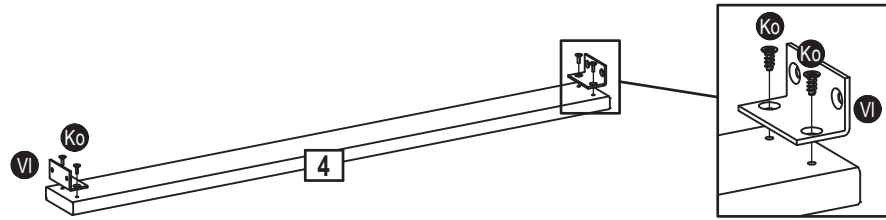
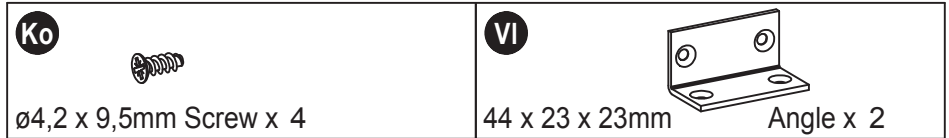
See details.



# Assembly Instructions

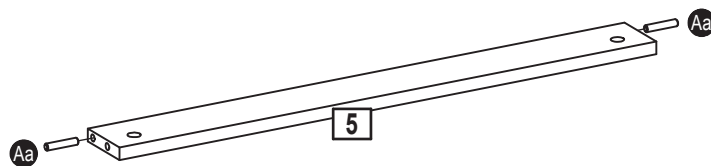
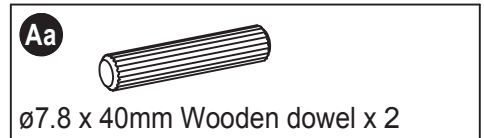
## Step 1.5

Fix the angles **VI** using screws **Ko** into the holes indicated on the front rail **4**.



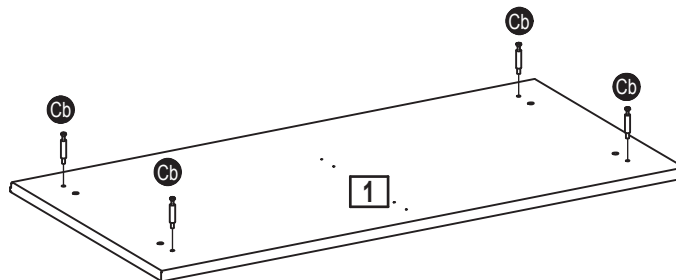
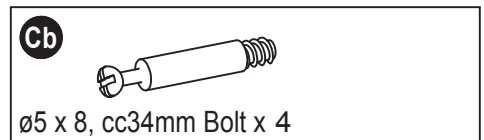
## Step 1.6

Knock the dowels **Aa** into the holes indicated on the back rail **5** using a small hammer.



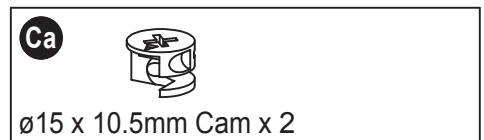
## Step 1.7

Screw the bolts **Cb** into the holes indicated on the top **1**.



## Step 1.8

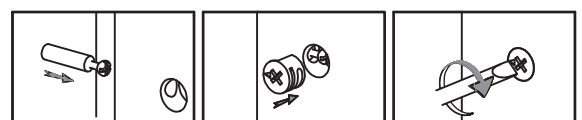
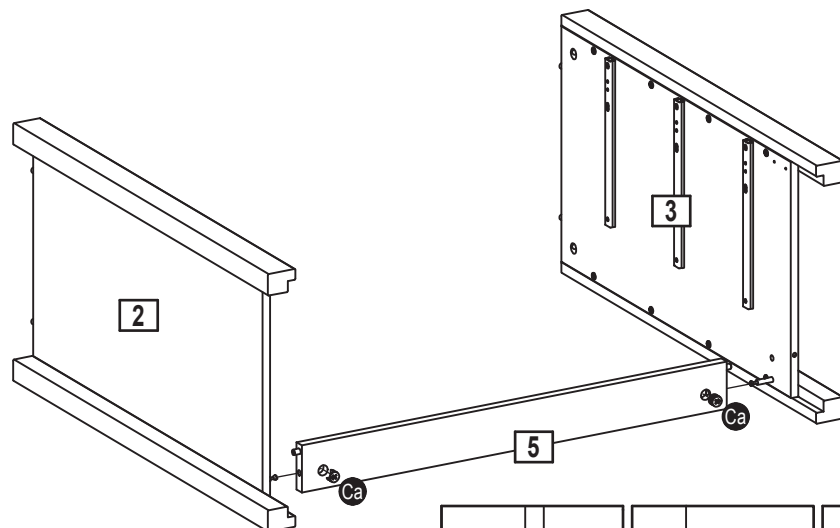
Place the sides **2** and **3** onto the back rail **5**.



Push cams **Ca** into the holes indicated on the back rail **5**.

Arrows pointing towards the sides **2/3**.

Turn the cams **Ca** to the right to fix the sides **2** and **3**.



# Assembly Instructions

## Step 1.9

Place the top **1** onto the sides **2** and **3**.

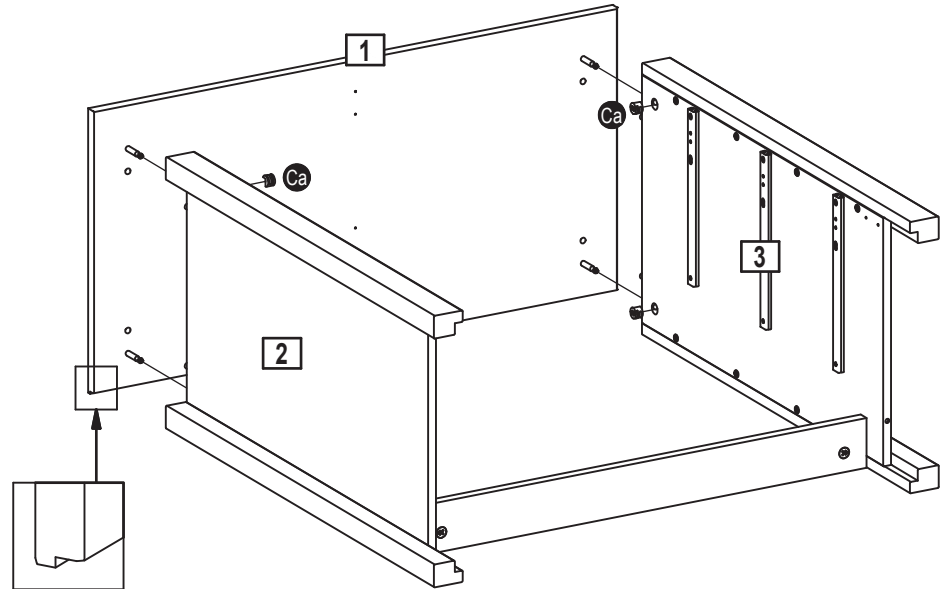
Push cams **Ca** into the holes indicated on the sides **2** and **3**.  
Arrows pointing towards the top **1**.

Turn the cams **Ca** to the right to fix the top **1**.

**Ca**



ø15 x 10.5mm Cam x 4



## Step 1.10

Place the front rail **4** as shown.

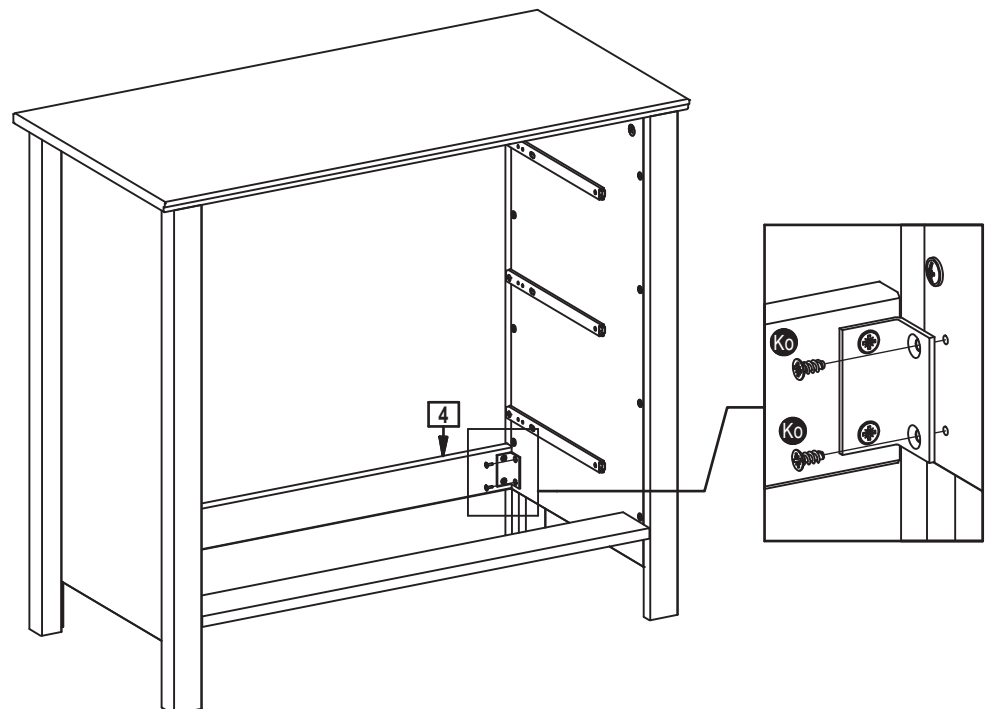
Fix the angles **VI** to the sides using screws **Ko**.

See detail.

**Ko**



ø4,2 x 9,5mm Screw x 4





# Assembly Instructions

## Step 1.11

Place the backs **7** into the rabbet on the top **1** into the H-profile **12** and onto the posts **6**.



### Important!

Make sure the angle between the top **1** and the posts **6** is 90° when the backs **7** is attached.

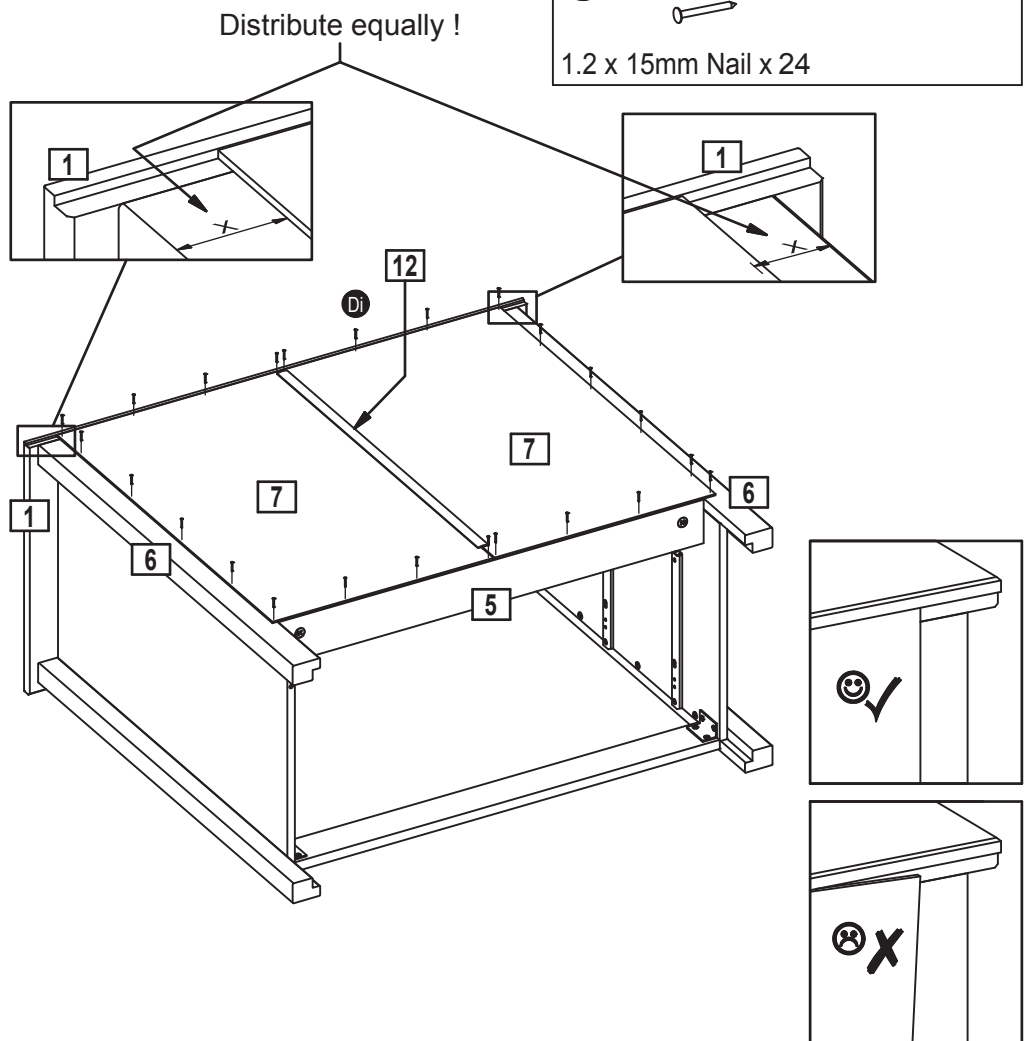
Fix the backs **7** to the top **1**, the posts **6** and the back rail **5** using nails **Di**.

Use a small hammer.

**Di**

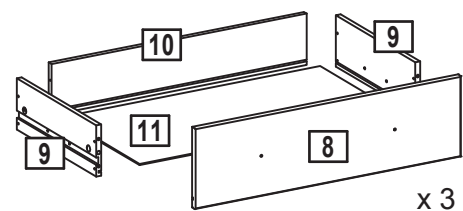
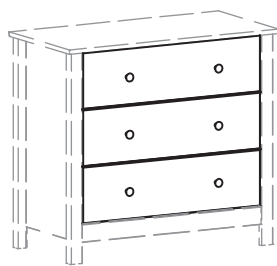


1.2 x 15mm Nail x 24



## Step 2

Assembly of the drawers.



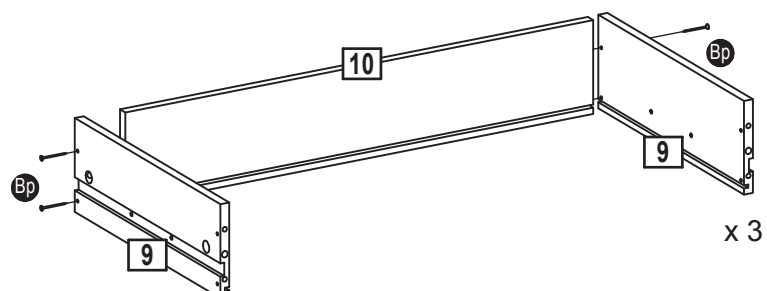
## Step 2.1

Fix the drawer sides **9** to the drawer back **10** as shown, using screws **Bp**.

**Bp**



ø3 x 35mm Screw x 12



# Assembly Instructions

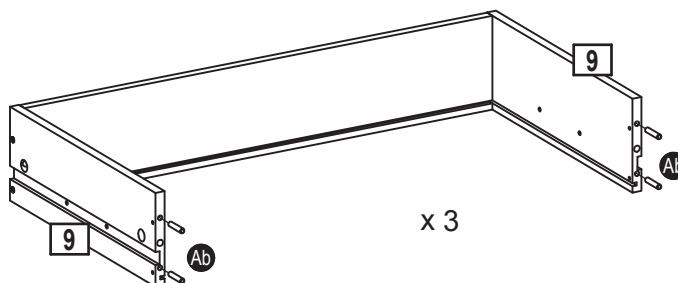
## Step 2.2

Knock the dowels **Ab** into the holes indicated on the drawer sides **9** using a small hammer.

**Ab**

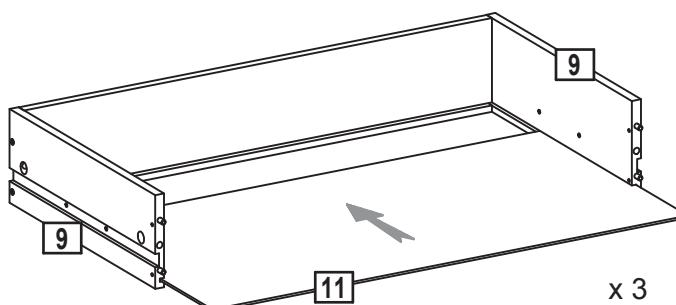


∅6 x 30mm Wooden dowel x 12



## Step 2.3

Slide the drawer bottom **11** into the drawer sides **9**.



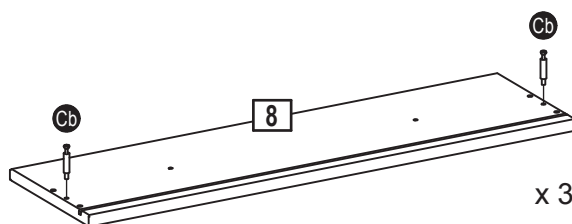
## Step 2.4

Screw the bolts **Cb** into the holes indicated on the drawer front **8**.

**Cb**



∅5 x 8, cc34mm Bolt x 6



## Step 2.5

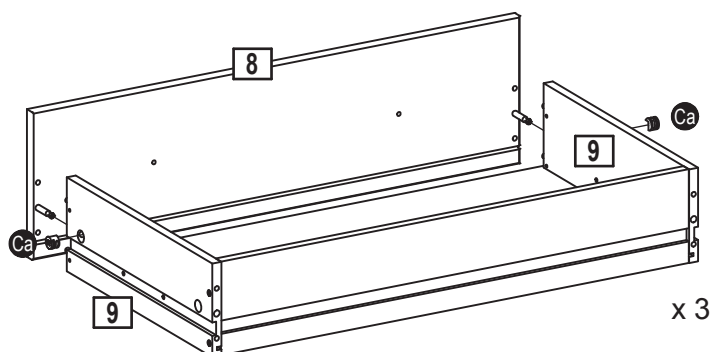
Push the drawer front **8** onto the drawer sides **9**.

**Ca**



∅15 x 10.5mm Cam x 6

Place cams **Ca** into the holes indicated. Arrow pointing towards the front. Turn the cams **Ca** to the right to fix the front.



# Assembly Instructions

## Step 2.6



### Important!

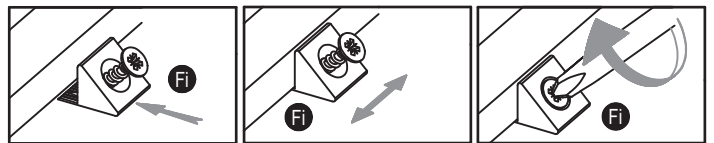
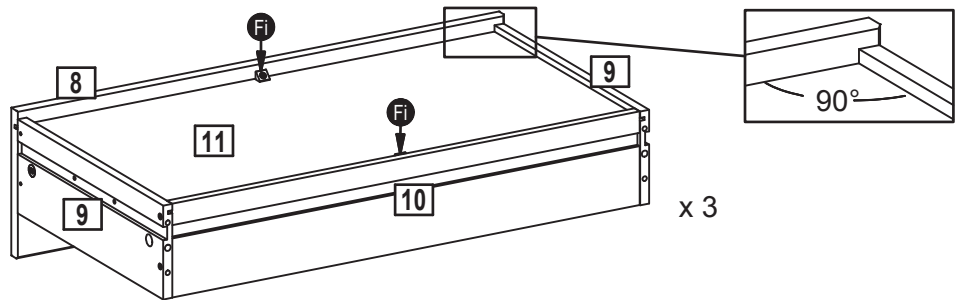
Make sure the angle between the drawer front **8** and the drawer sides **9** is 90° before the drawer bottom **11** is fixed using **Fi** as shown.

To adjust the angle between the drawer sides and the fronts push the fitting **Fi** sideways. See details.

**Fi**



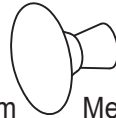
Back fitting w.  $\varnothing 3.5 \times 15\text{mm}$  Screw x 6



## Step 2.7

Fix the metal knobs **Ge** to the drawer front **8** using screws **Hd**.

**Ge**

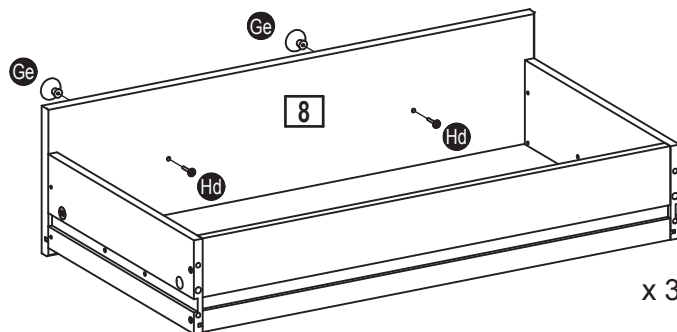


$\varnothing 27 \times 24\text{mm}$  Metal Knob x 6

**Hd**



M4 x 20mm Screw x 6



## Step 2.8

Pull out the drawer runners. Slide the drawers onto the runners.

Fit and fix the lower drawer first and work your way up.

Fix drawers to the drawer runners using screws **Hk**.

**Hk**



M4 x 9mm Screw x 6

