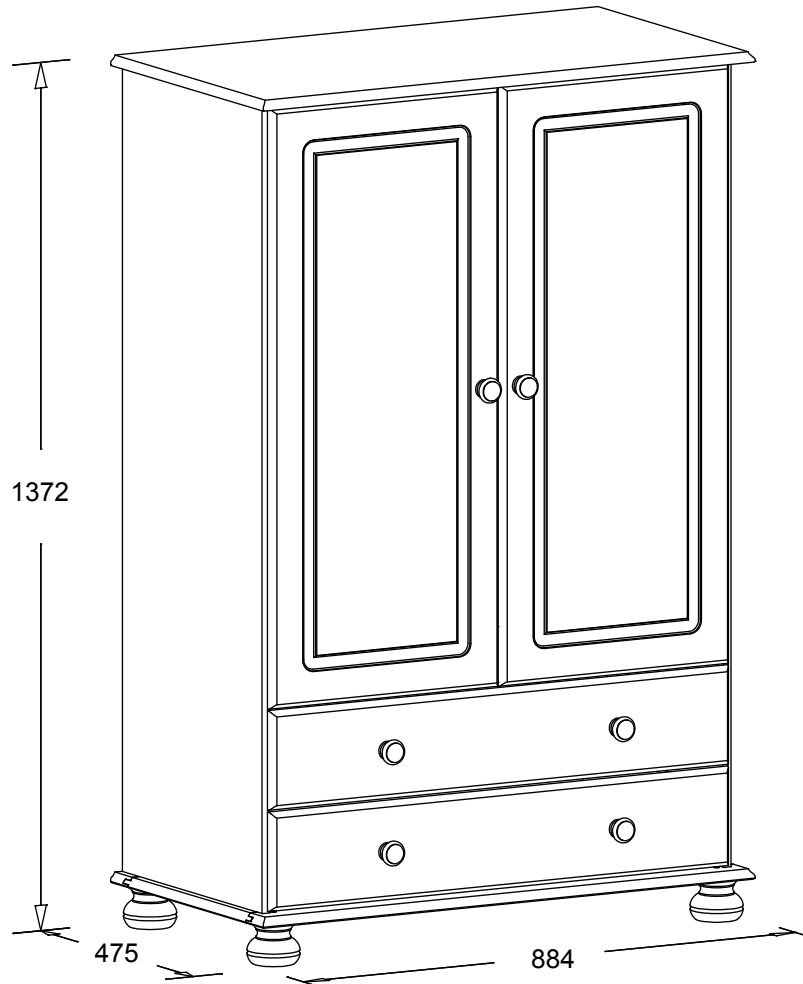
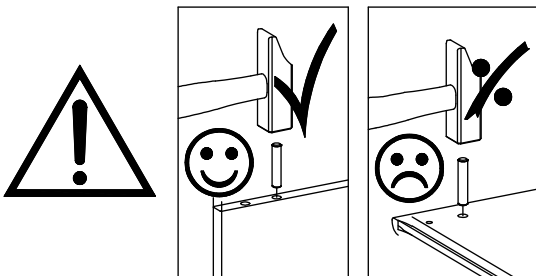


# 2 Door 2 Drawer Tallboy

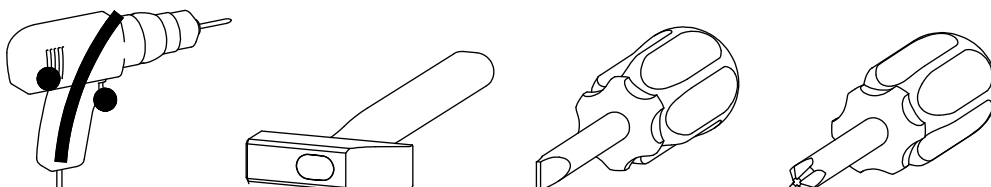
1012511

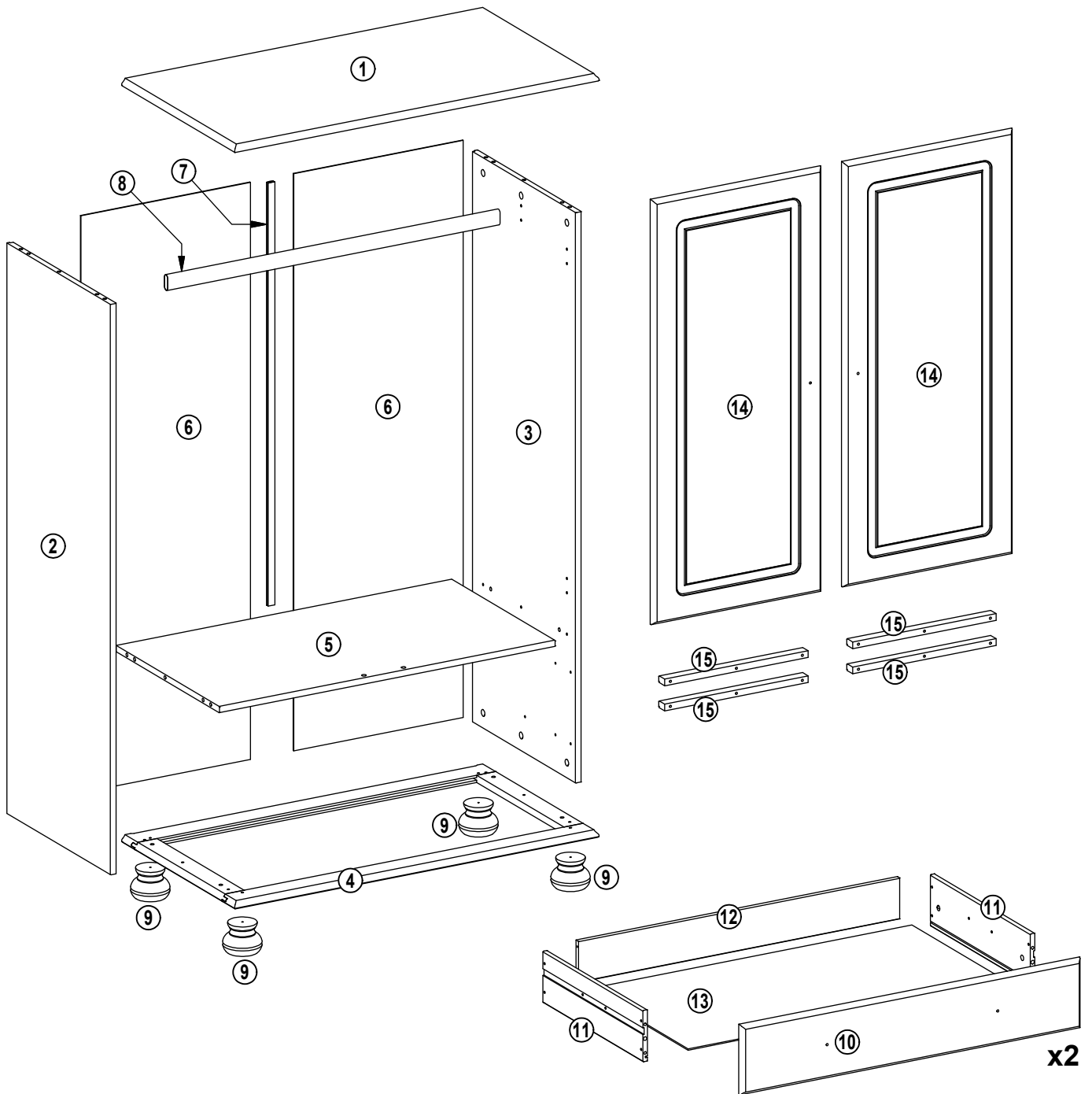


## Important!



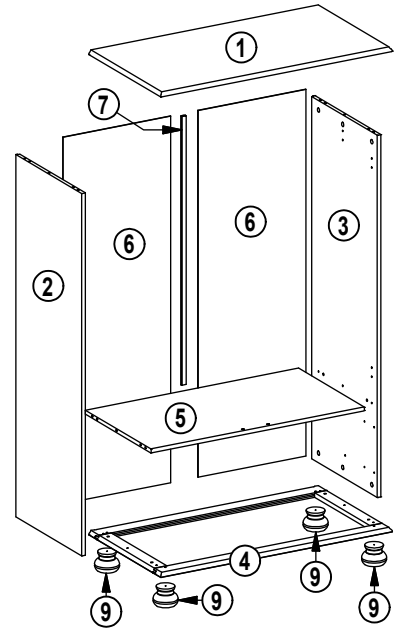
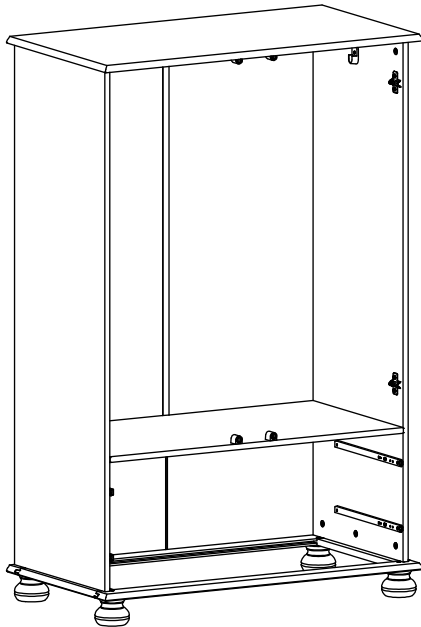
Please, read the assembly instruction carefully, before assembling.



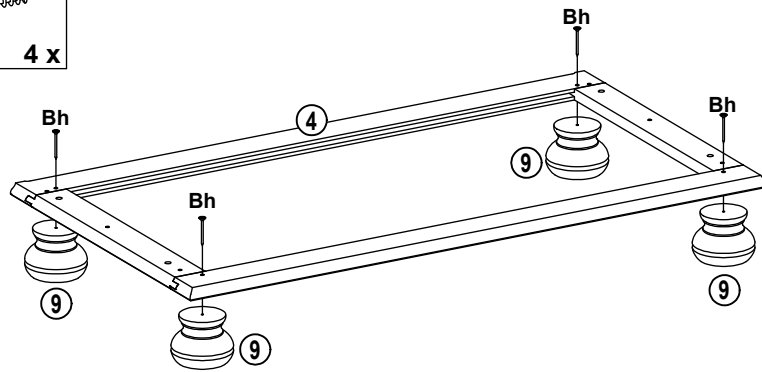
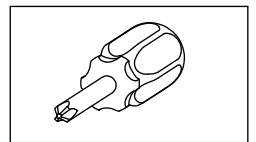
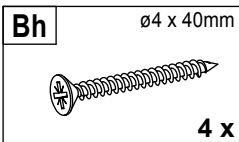


|   |  |   |  |  |   |
|---|--|---|--|--|---|
| 0<br>10<br>20<br>30<br>40<br>50<br>60<br>70<br>80 | <b>Aa</b> $\varnothing 8 \times 40\text{mm}$<br><br>12 x | <b>Ab</b> $\varnothing 6 \times 30\text{mm}$<br><br>8 x     | <b>Ba</b> $\varnothing 3,5 \times 35\text{mm}$<br><br>20 x           | <b>Bc</b> $\varnothing 3,5 \times 15\text{mm}$<br><br>10 x | <b>Bh</b> $\varnothing 4 \times 40\text{mm}$<br><br>4 x   |
|   | <b>Bo</b> $\varnothing 3 \times 12\text{mm}$<br><br>4 x  | <b>Ca</b> $\varnothing 15 \times 10,5\text{mm}$<br><br>18 x | <b>Cb</b> $\varnothing 5 \times 8, \text{cc}34\text{mm}$<br><br>22 x | <b>Cq</b> $\varnothing 12 \times 9,5\text{mm}$<br><br>4 x  | <b>Di</b> $1,2 \times 15\text{mm}$<br><br>50 x            |
|   | <b>Fi</b><br><br>2 x                                     | <b>Gn</b> $\varnothing 39 \times 30\text{mm}$<br><br>6 x    | <b>Ha</b> $M4 \times 10\text{mm}$<br><br>4 x                         | <b>Jc</b> $\varnothing 4 \times 35\text{mm}$<br><br>6 x    | <b>Kb</b> $\varnothing 5,8 \times 8\text{mm}$<br><br>12 x |
|   | <b>Mc</b> 0mm<br><br>4 x                                 | <b>Me</b> $\varnothing 26\text{mm}$<br><br>4 x              | <b>Pc</b><br><br>4 x   | <b>Pd</b> $35 \times 12\text{mm}$<br><br>4 x               | <b>Sa</b> $310 \times 17 \times 10\text{mm}$<br><br>4 x   |

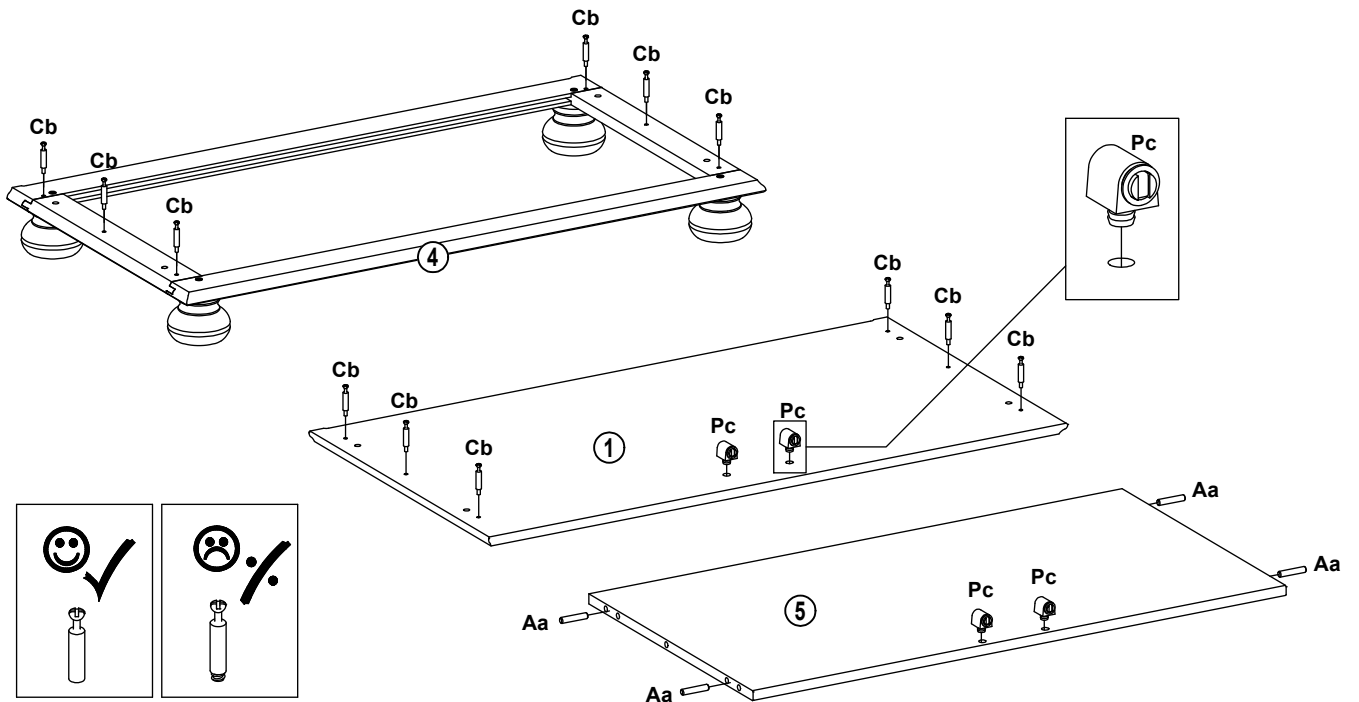
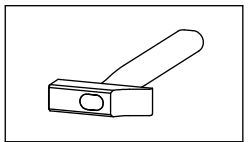
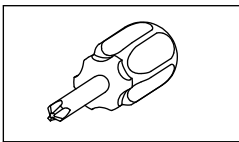
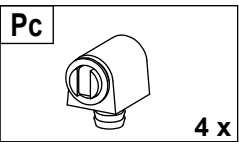
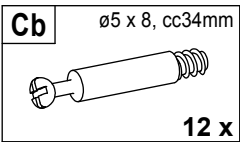
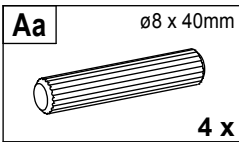
1



1.1



1.2



# 1.3

**Aa**

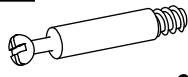
ø8 x 40mm



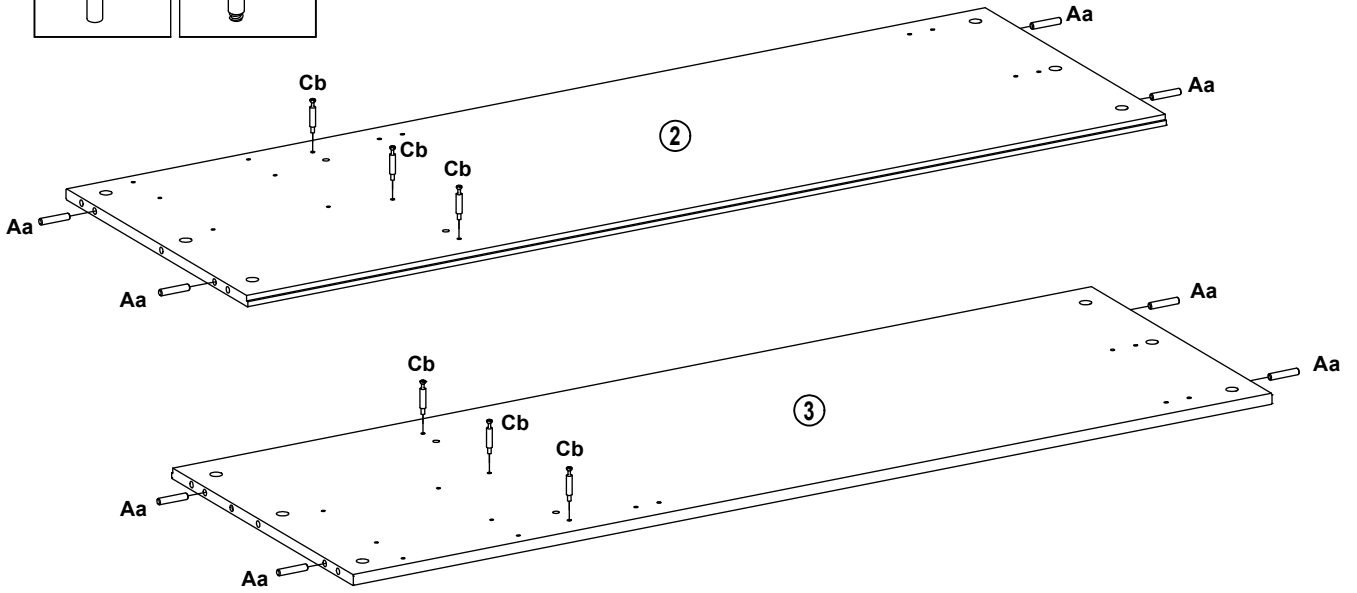
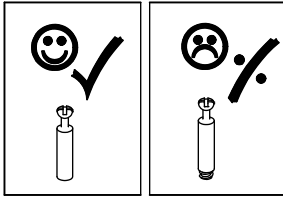
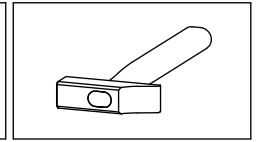
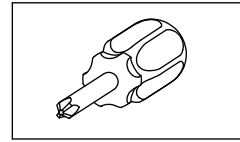
8 x

**Cb**

ø5 x 8, cc34mm



6 x



# 1.4

**Bc**

ø3,5 x 15mm



2 x

**Fi**



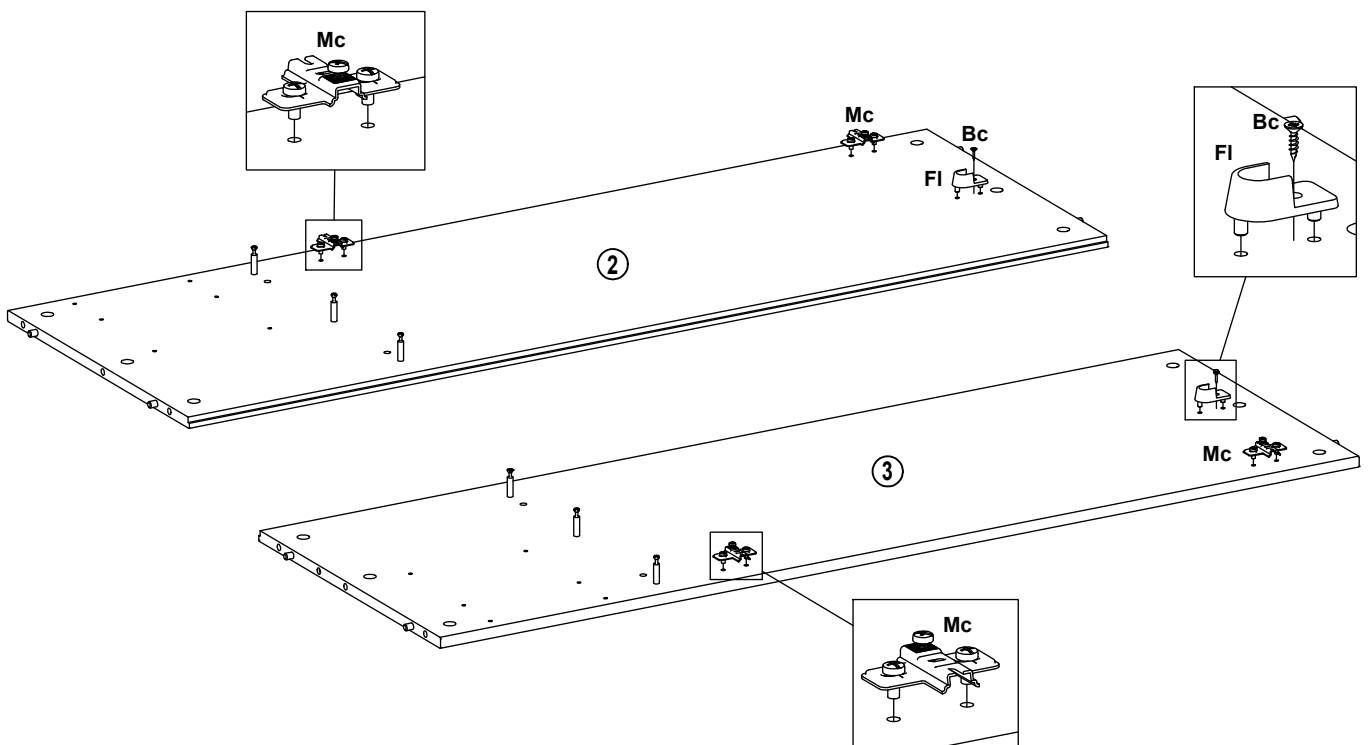
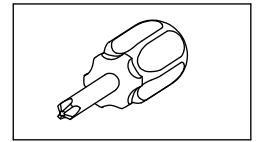
2 x

**Mc**

0mm



4 x



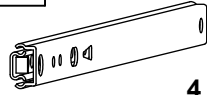
# 1.5

**Kb**  $\varnothing 5,8 \times 8\text{mm}$

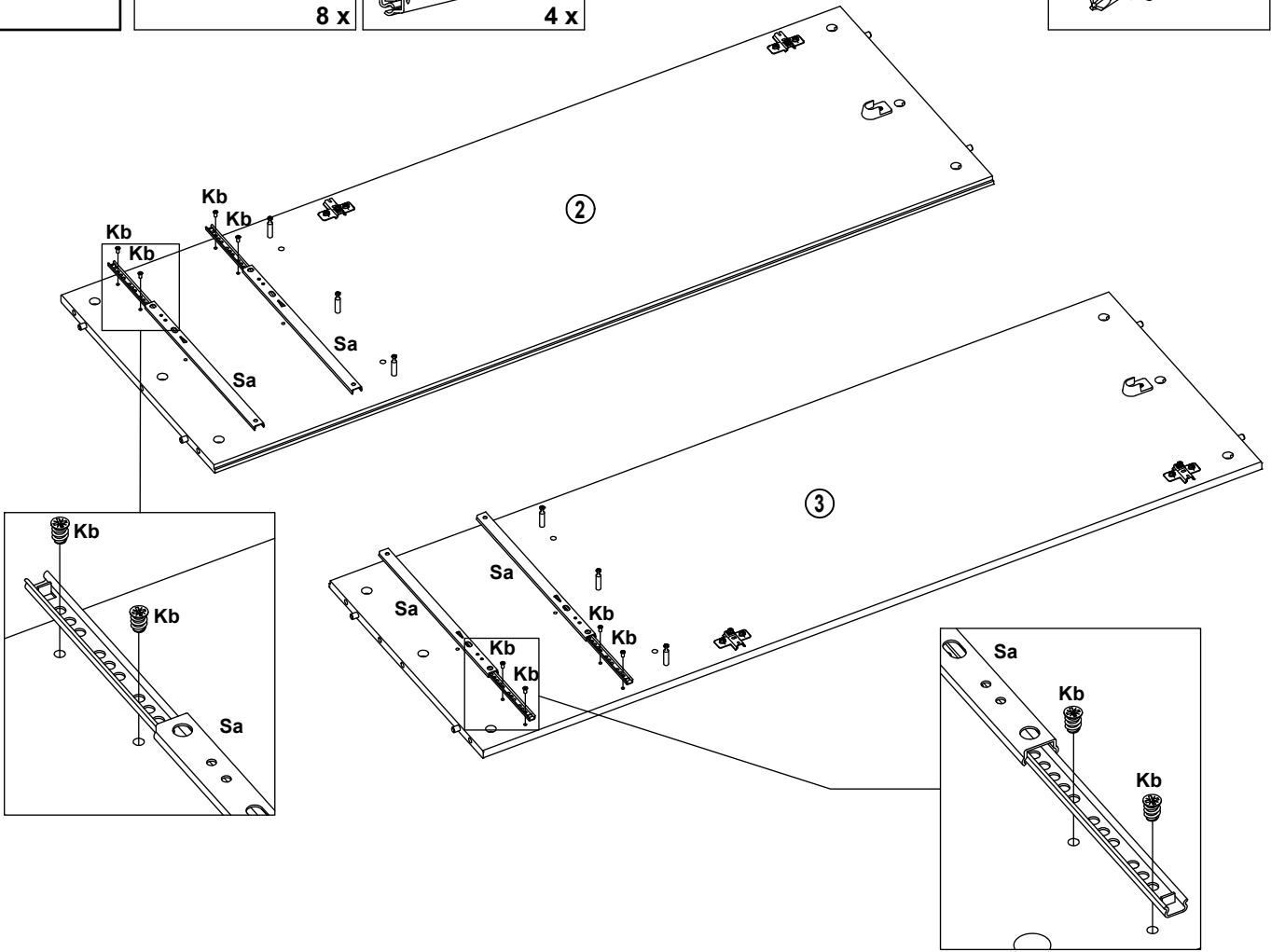
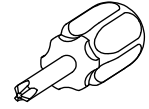


8 x

**Sa** 310 x 17 x 10mm



4 x

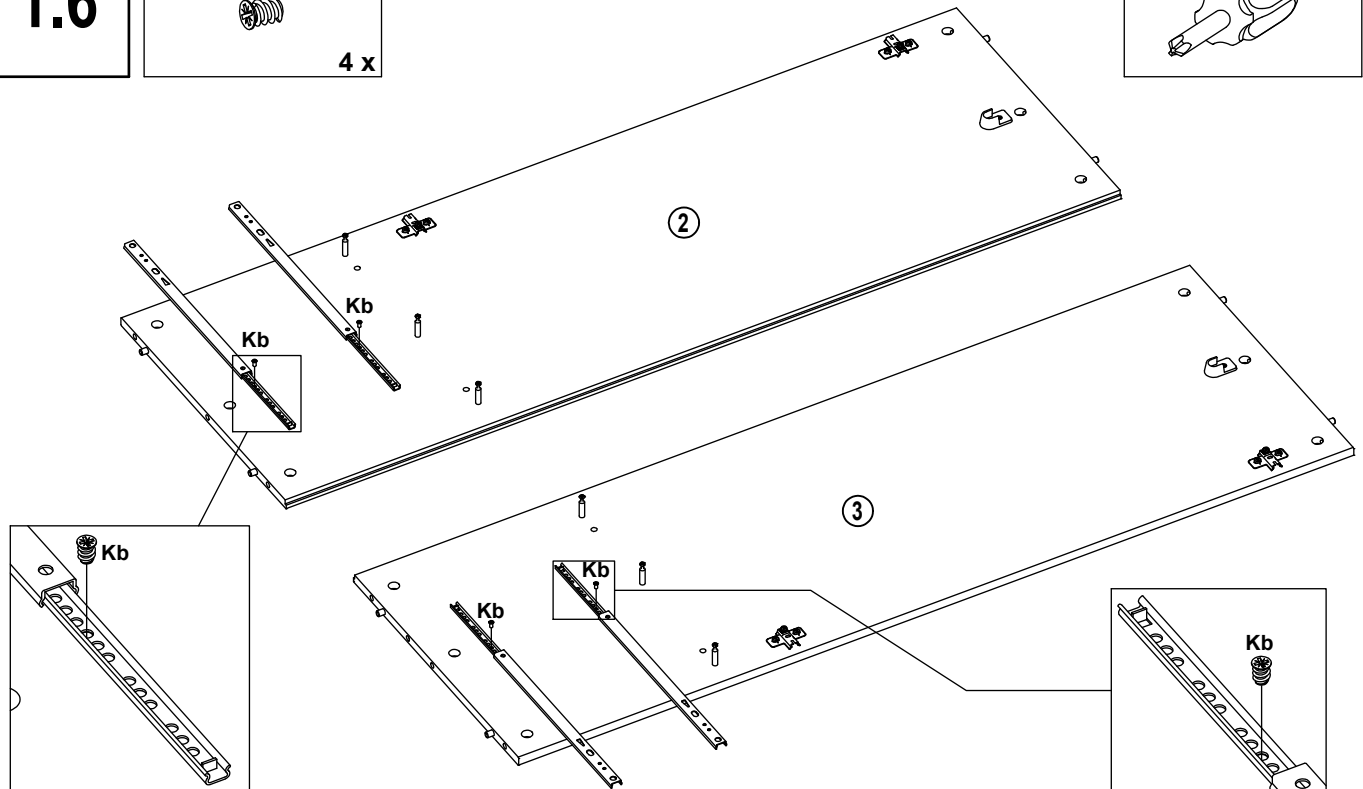
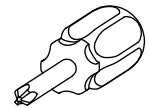


# 1.6


**Kb**  $\varnothing 5,8 \times 8\text{mm}$

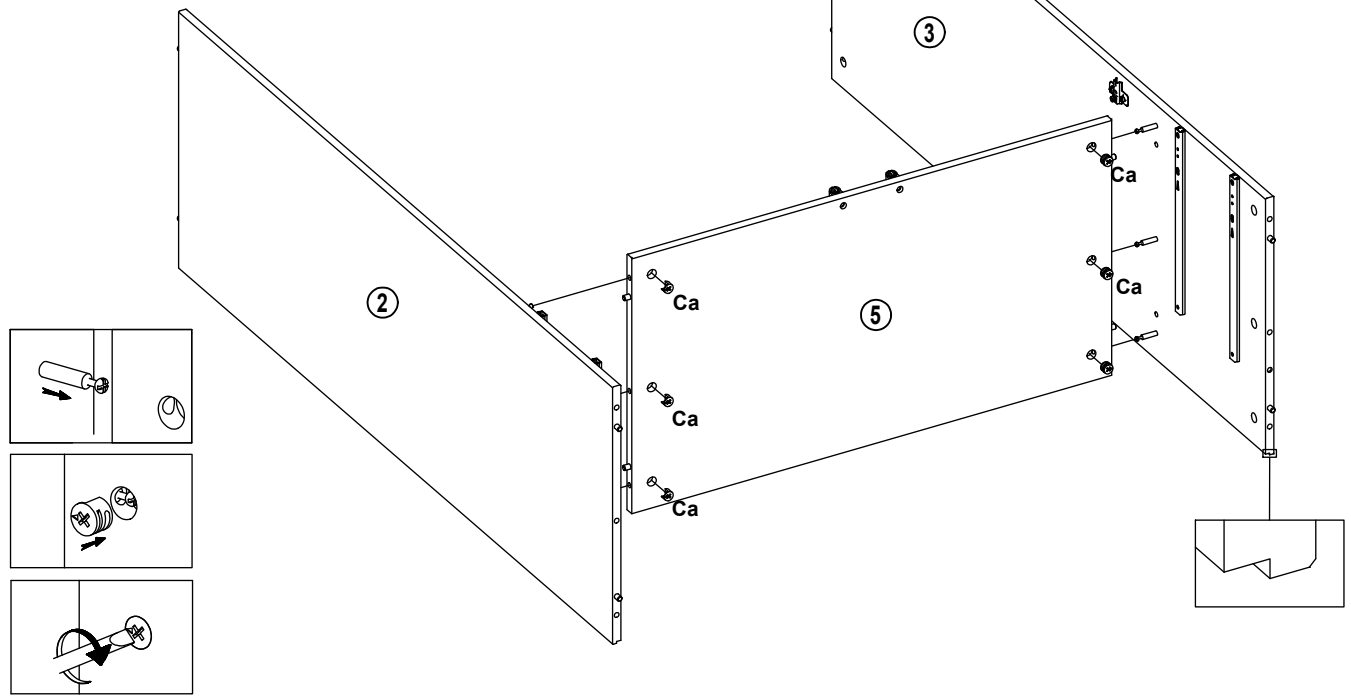
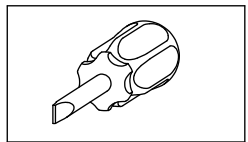


4 x




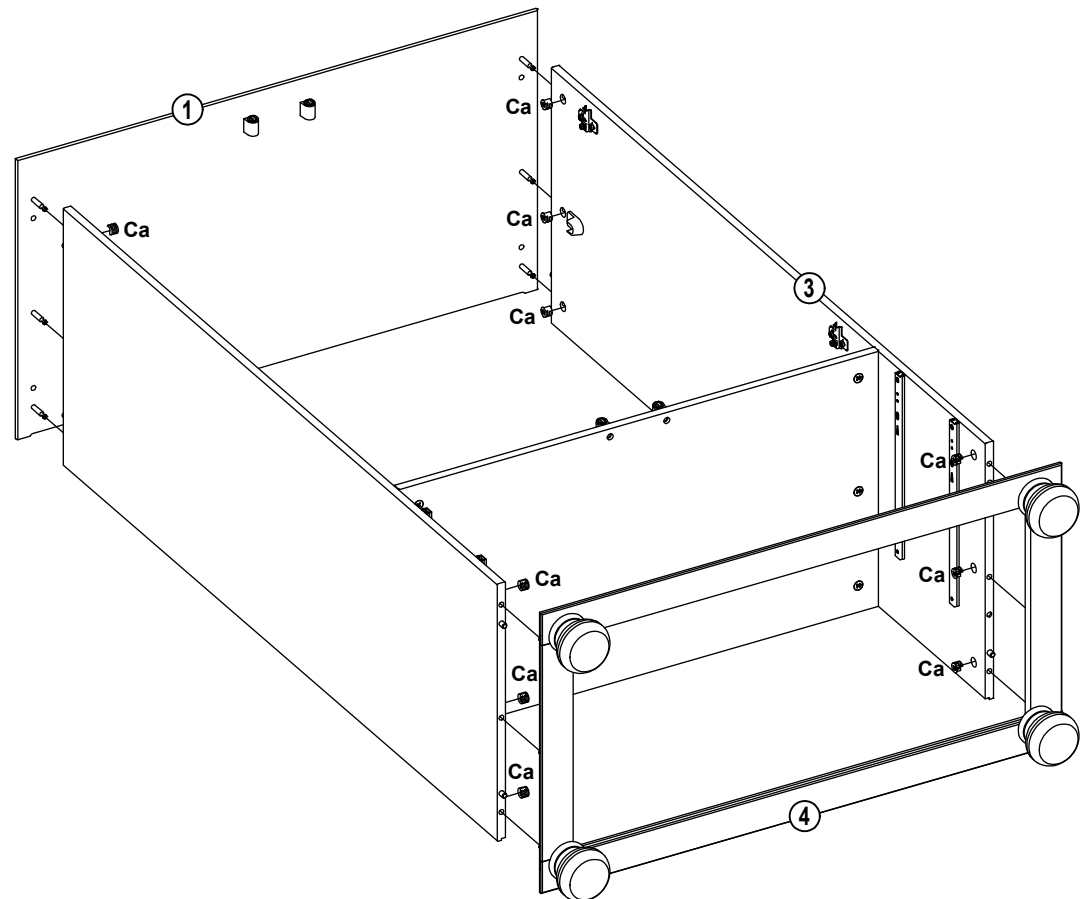
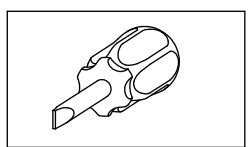
**1.7**

**Ca**  $\varnothing 15 \times 10,5\text{mm}$   
  
**6 x**




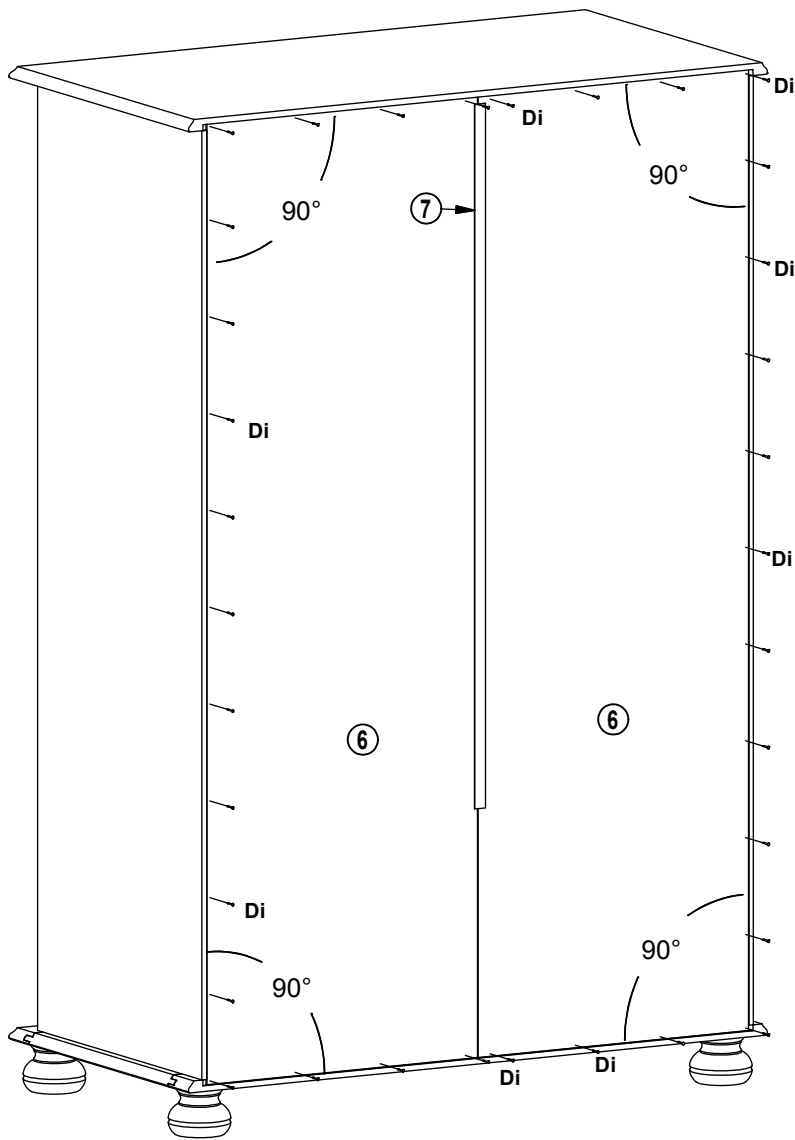
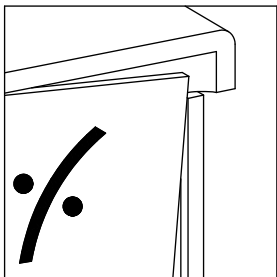
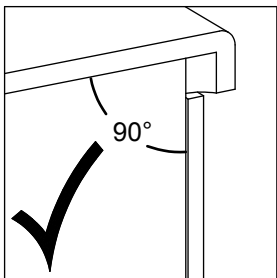
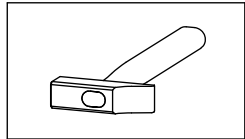
**1.8**

**Ca**  $\varnothing 15 \times 10,5\text{mm}$   
  
**12 x**

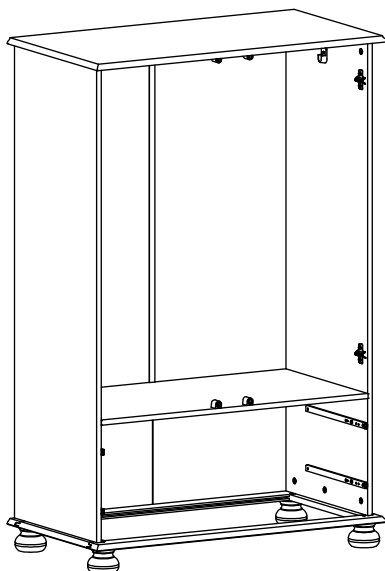


**1.9**

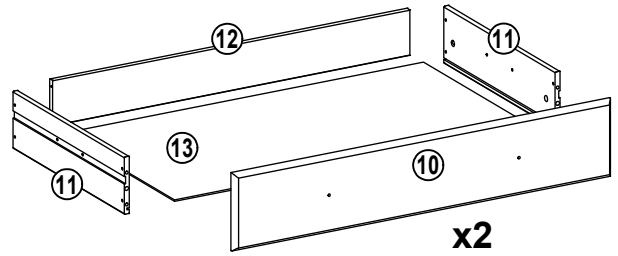
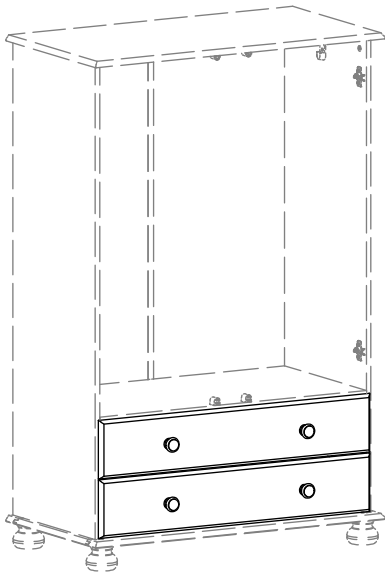
Di 1,2 x 15mm  
  
**34 x**



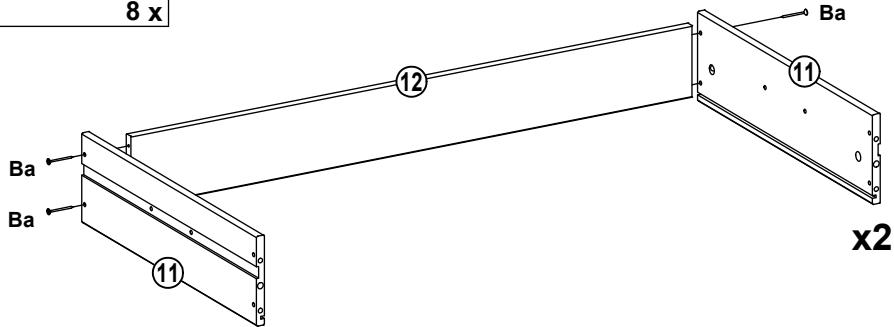
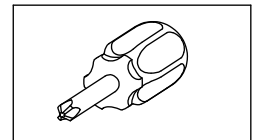
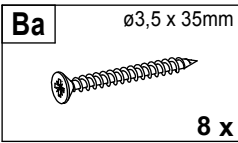
**1.10**



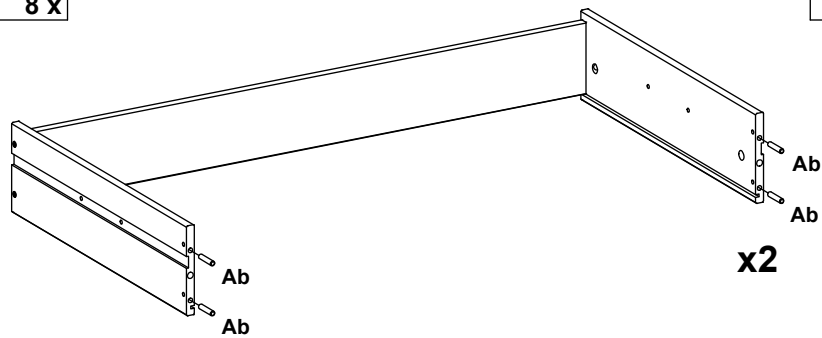
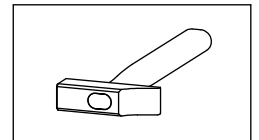
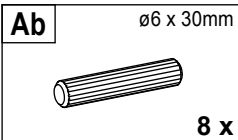
2



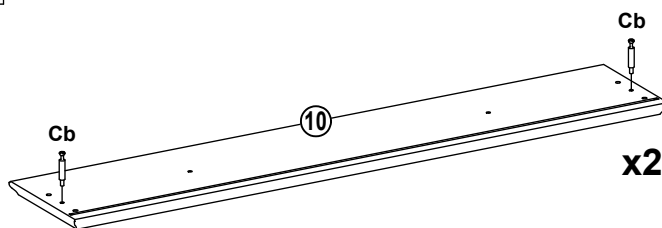
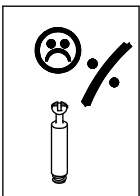
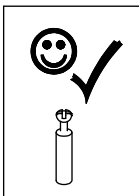
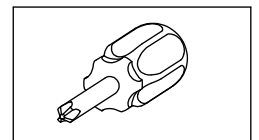
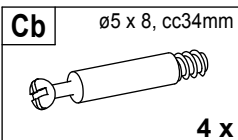
2.1



2.2

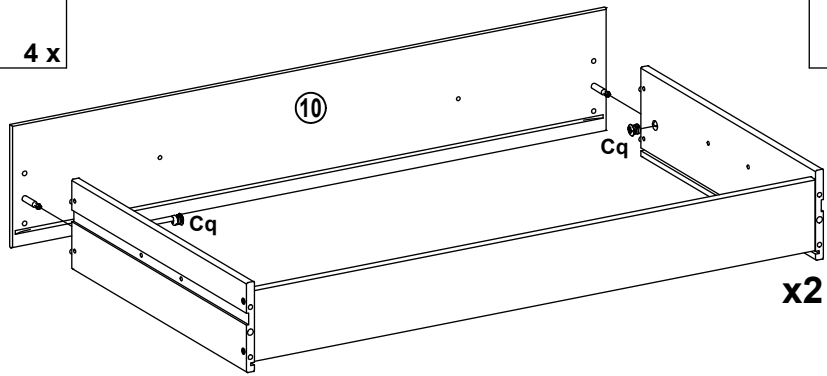
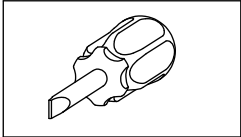
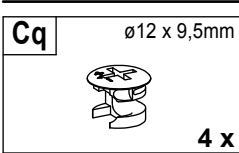


2.3

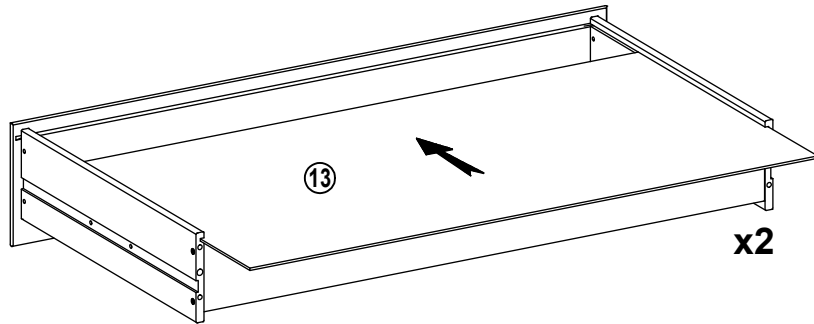




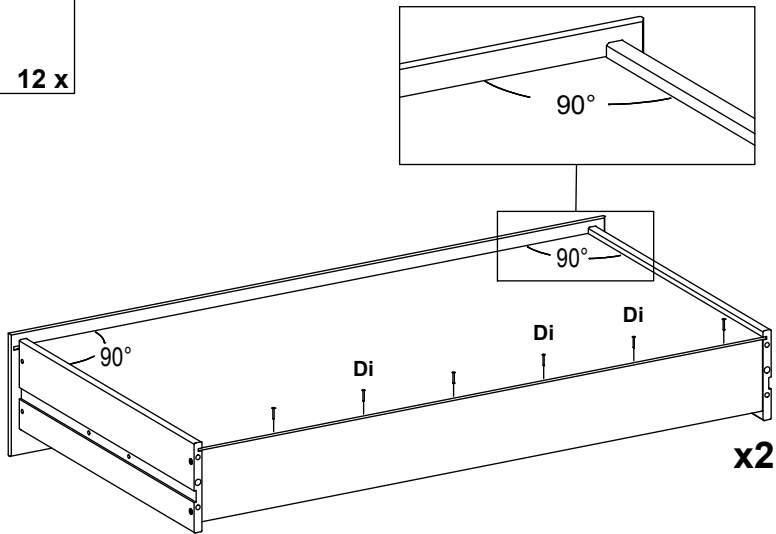
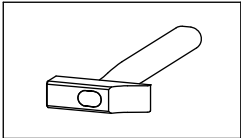
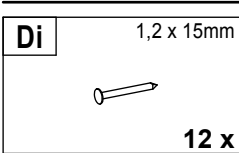
**2.4**



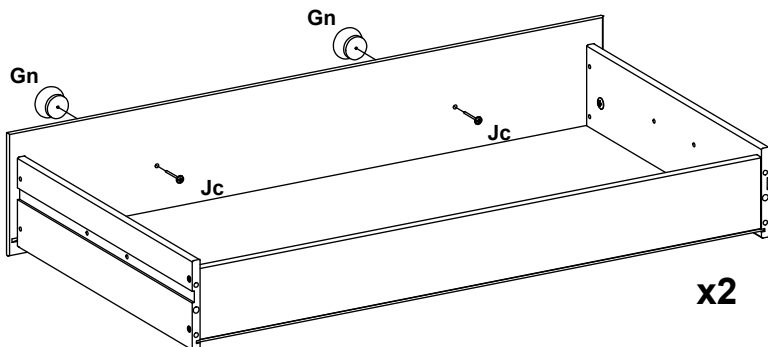
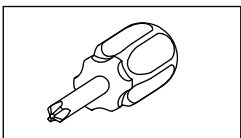
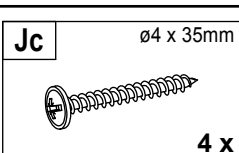
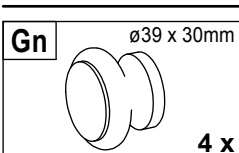
**2.5**



**2.6**

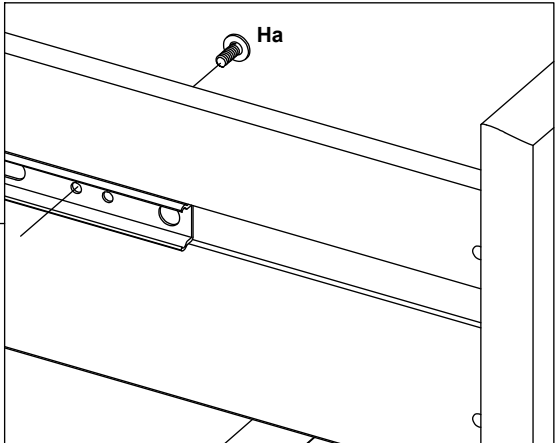
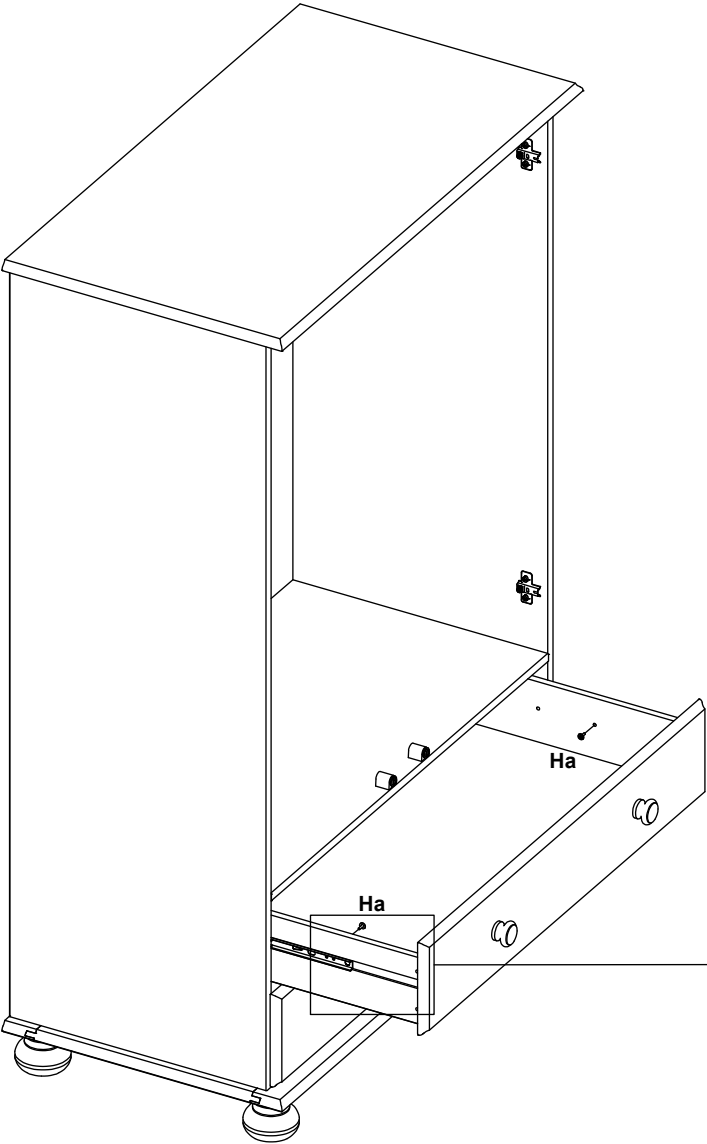
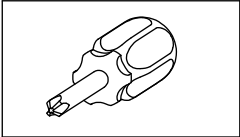


**2.7**

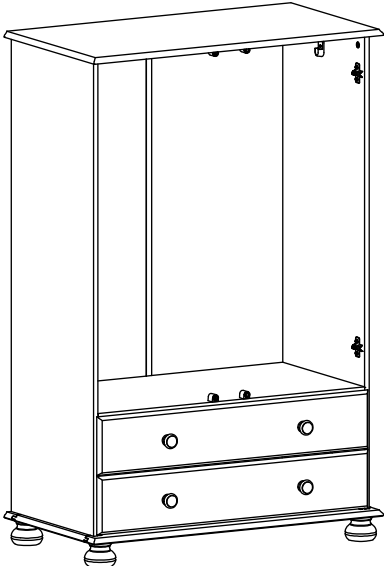


**2.8**

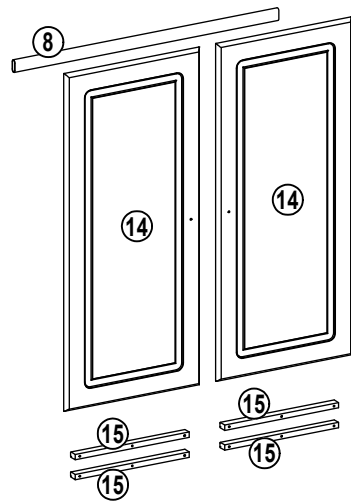
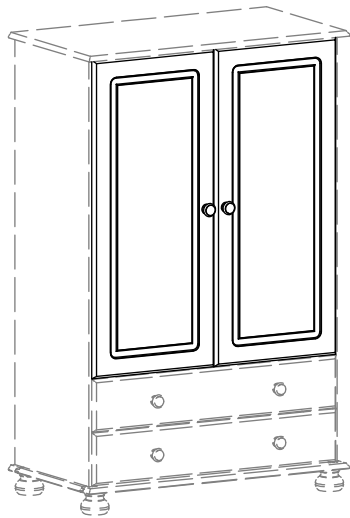
Ha M4 x 10mm  
4 x



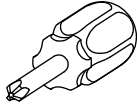
**2.9**

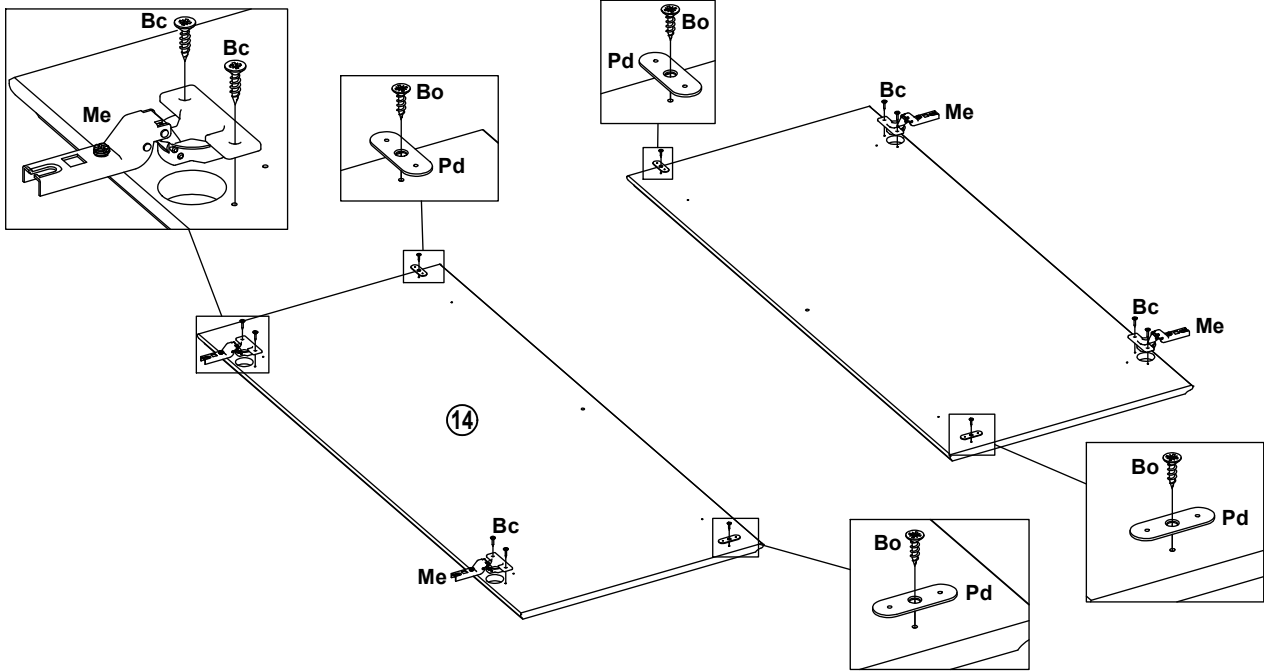


# 3

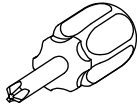


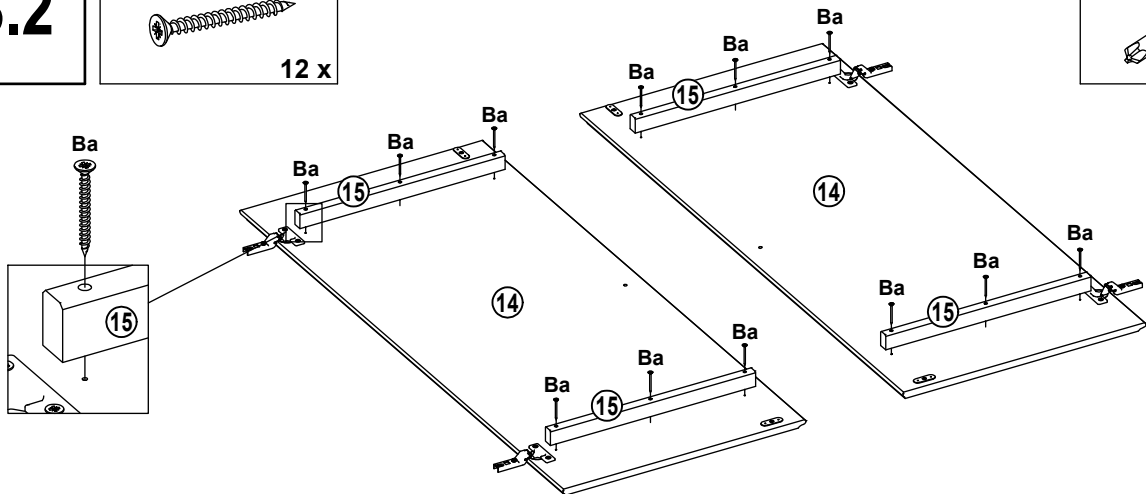
## 3.1

|           |             |           |           |           |       |           |           |   |
|-----------|-------------|-----------|-----------|-----------|-------|-----------|-----------|---|
| <b>Bc</b> | ø3,5 x 15mm | <b>Bo</b> | ø3 x 12mm | <b>Me</b> | ø26mm | <b>Pd</b> | 35 x 12mm |  |
|           | 8 x         |           | 4 x       |           | 4 x   |           | 4 x       |   |

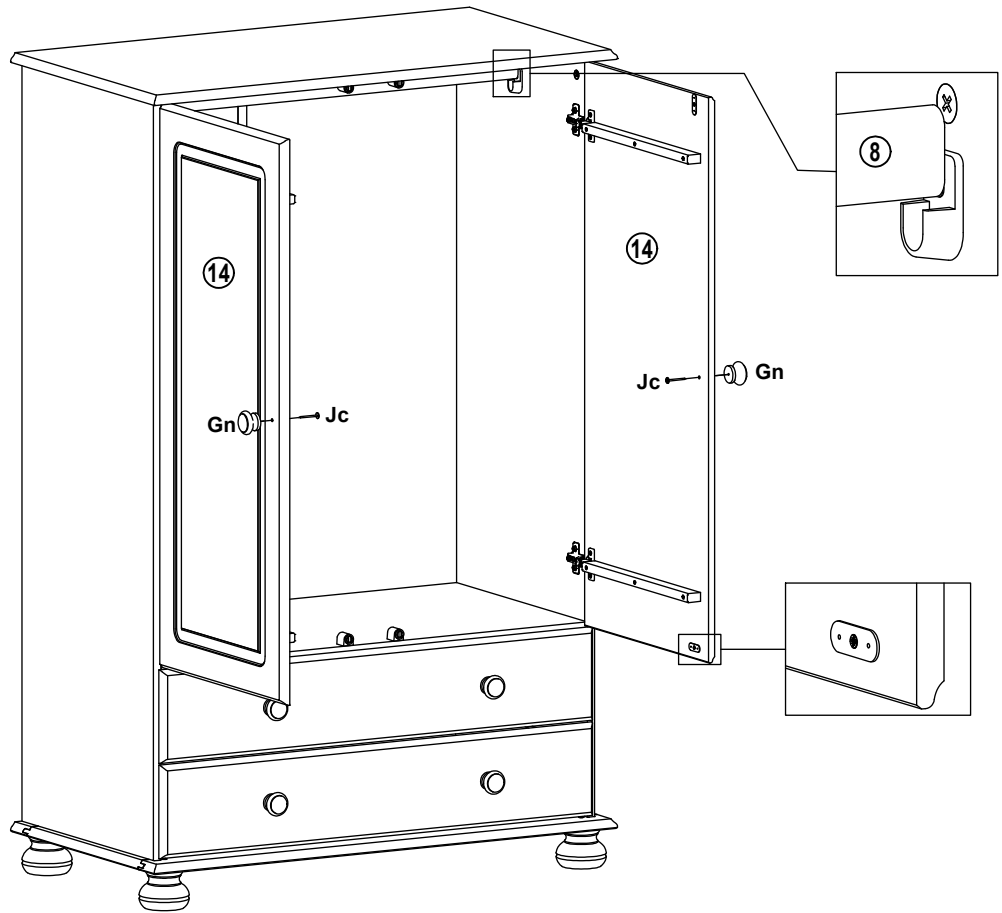
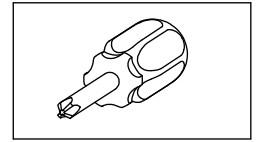
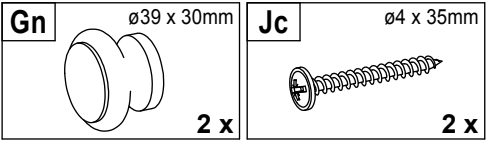


## 3.2

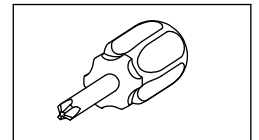
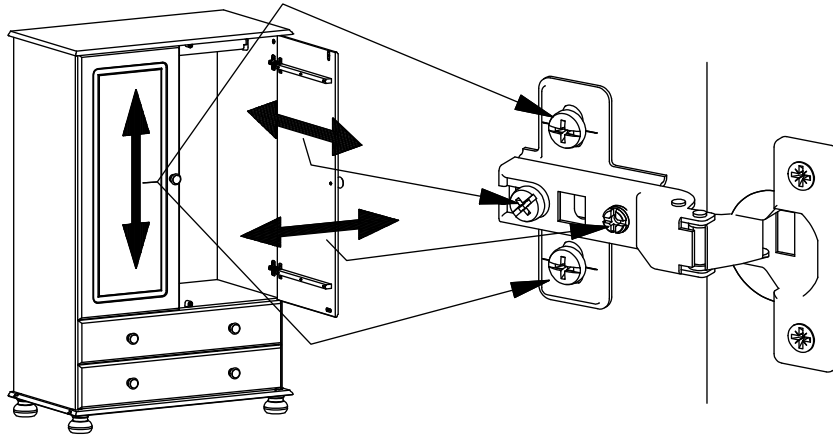
|           |             |   |
|-----------|-------------|---|
| <b>Ba</b> | ø3,5 x 35mm |  |
|           | 12 x        |   |



3.3



3.4



3.5

